

**AUTOMATION SYSTEM PLCG  
USE AND MAINTENANCE MANUAL**





*Rev.04 10.2020*



## SOMMARIO

INTRODUCTION	5
Istruzioni Installazione Automazione, Automation Installation Instructions, Instrucciones para la Instalación del Automatismo	6
ENGLISH	10
ITALIANO	17
ESPAÑOL	24
Istruzioni Cablaggio, Wiring Instructions, Instrucciones para el Cableado (Parametri, Parameters, Parámetros)	23
Problem solving	31
Avvertenze per la sicurezza, Safety warnings, Advertencias para la seguridad	34
Garanzia del prodotto, Product guarantee, Garantía del producto	37



## 01-INTRODUCTION

Dear customer, we thank you for the choice You've made; the purchased product is the result of several years of study, research and test on materials according to the most severe European safety regulations.

The addition of non original parts and accessories to the product can cause not only the malfunction but it can also compromise its safety level.

**FOR A CORRECT USE OF THE AUTOMATION PLEASE READ CAREFULLY THIS MANUAL PRODUCT DESCRIPTION**

The motorization is accomplished by a high torque reversible reduction unit in direct current at 24V with integrated optical encoder, an electronic control unit with micro-processor which runs the following functions:

- Doors logical functioning, memorized on the microprocessor in fix memory with an upgrade possibility
- Decoding of the encoder signals for a correct positioning and slow down
- Electronic point out of the obstacle
- Battery charging
- Safety management
- Inter-blocking management between doors

The electronic point out of the obstacle is a very important device with a safety purpose; its calibration remains unchanged in time without being subject to wear and tear as in friction clutches.

The rim impacting and crushing closing forces form part of the instruction values. The pointing out is active both in closing and in opening phase.

As to reduce (cut down) the impact risk between the sliding door and the persons we advise to install a couple of photocells on the inner side at a height of 500mm from the floor.

In lack of electric power the door can be opened manually thanks to the reduction unit high reversibility, without the need of further releasing manoeuvre. The perfect working in lack of electric power can be also assured by installing backup batteries inside the switch box.

### INSTALLATION

In order to assure a correct and safe functioning of the automation it is necessary for the installation to apply to authorized personnel. If the installation is made by non authorized personnel, this should follow scrupulously the instructions contained in the maintenance manual and should also compile the certification file in his capacity of technician.

Gentile cliente, la ringraziamo per la preferenza accordataci, il prodotto da Lei acquistato è il frutto di anni di studio, ricerche e prove sui materiali effettuate in accordo con le più severe norme europee per la sicurezza.

L'aggiunta al prodotto di parti ed accessori non originali, oltre che non garantire il buon funzionamento, potrebbe compromettere il suo livello di sicurezza.

**PER UN CORRETTO USO DELLA PORTA LEGGERE**

**ATTENTAMENTE IL PRESENTE MANUALE**

### DESCRIZIONE PRODOTTO

La motorizzazione è realizzata da un motoriduttore reversibile in corrente continua a 24V ad elevata coppia con encoder integrato, una centralina elettronica con microprocessore che gestisce le seguenti funzioni:

- logica di funzionamento della porta, memorizzata nel microprocessore in memoria non volatile con possibilità di upgrade
- decodifica dei segnali dell'encoder per un corretto posizionamento e rallentamento
- rilevazione elettronica dell'ostacolo
- carica delle batterie
- gestione delle sicurezze
- gestione interblocco tra più porte

La rilevazione elettronica dell'ostacolo è un dispositivo importantissimo ai fini della sicurezza, la sua taratura resta costante nel tempo senza essere soggetta ad usure come nelle frizioni meccaniche. Le forze di chiusura di impatto e schiacciamento sul bordo rientrano nei valori delle direttive vigenti. La rilevazione è attiva sia in chiusura che in apertura.

Per ridurre il rischio di impatto tra l'anta scorrevole e le persone si consiglia l'installazione di una coppia di fotocellule dalla parte interna ad una altezza di 500mm dal pavimento.

In assenza di energia elettrica è possibile aprire manualmente la porta grazie all'elevata reversibilità del motoriduttore, senza necessità di ulteriori manovre di sblocco.

### INSTALLAZIONE

Al fine di garantire un corretto e sicuro funzionamento della porta, è necessario ricorrere ad un tecnico autorizzato. Qualora il montaggio fosse effettuato da personale non qualificato. Questi deve seguire scrupolosamente le istruzioni contenute nel manuale di montaggio, deve inoltre compilare le schede di certificazione in qualità di installatore.

Estimado cliente, Gracias por elegir el producto que ha comprado es el resultado de años de pruebas de estudio, de investigación y materiales realizados de acuerdo con las normas europeas más estrictas en materia de seguridad.

La incorporación al producto de las piezas y accesorios no originales, además de no garantizar el mejor funcionamiento, podría comprometer su nivel de seguridad.

**PARA UN USO ADECUADO DE LA PUERTA LEA ATENTAMENTE ESTE MANUAL**

### DESCRIPCIÓN DEL PRODUCTO

La motorización se realiza por un motorreductor reversible DC 24V de alto par con codificador óptico integrado, una unidad de control electrónico con microprocesador que gestiona las siguientes funciones:

- lógica de funcionamiento de la puerta, almacenada en el microprocesador en la memoria no volátil con posibilidad de actualización
- decodificación de las señales del sistema de posicionamiento y desaceleración correcta
- detección de obstáculos electrónica
- carga de la batería
- gestión de la seguridad

Detección electrónica de obstáculos es un dispositivo importante para la seguridad, su calibración permanece constante en el tiempo, sin ser sometidas a desgaste como las

garras mecánicas. La fuerza de sujeción de impacto y aplastamiento contra la caída de los valores de la Directiva. La detección es activa tanto en cierre y apertura.

Para reducir el riesgo de impacto entre la hoja corredera y las personas se recomienda la instalación de un par de fotocélulas desde el interior a una altura de 500 mm desde el suelo.

Sin electricidad puede abrir manualmente las puertas gracias a la reversibilidad del motor, sin desbloqueo adicional, usted puede también contribuir al correcto funcionamiento en ausencia de corriente mediante la instalación de baterías de respaldo en el alojamiento previsto en el panel eléctrico.

### INSTALACION

Con el fin de garantizar un funcionamiento correcto y seguro de la puerta, es necesario para la instalación, use un técnico autorizado. Si la instalación se efectuó por personal no cualificado. Estos deben seguir cuidadosamente las instrucciones del manual de instalación, también debe rellenar los formularios de certificación como un instalador.

Fig. 01

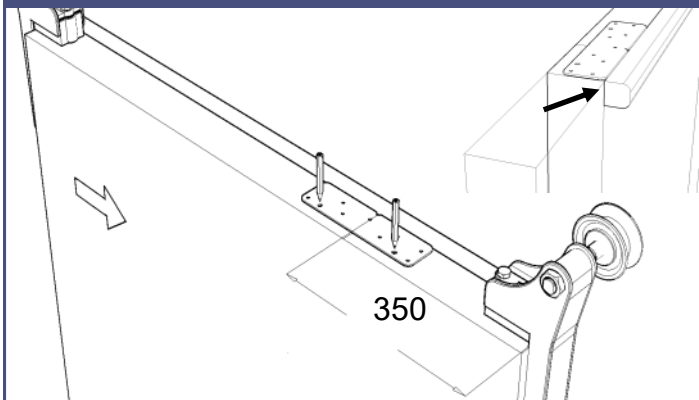


Fig. 05

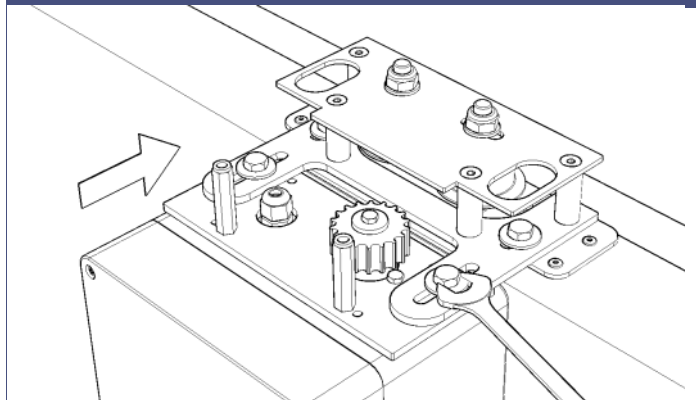


Fig. 02

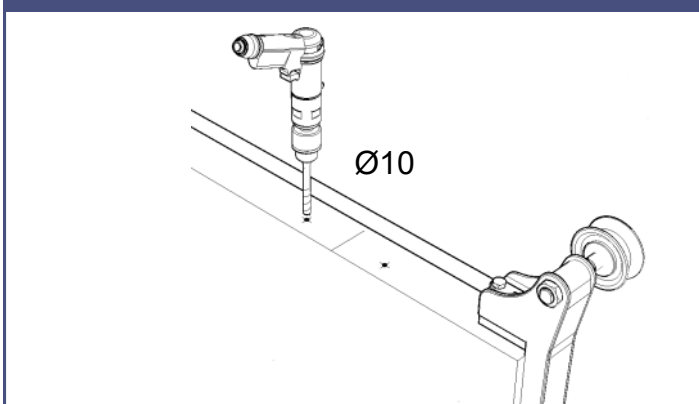


Fig. 06

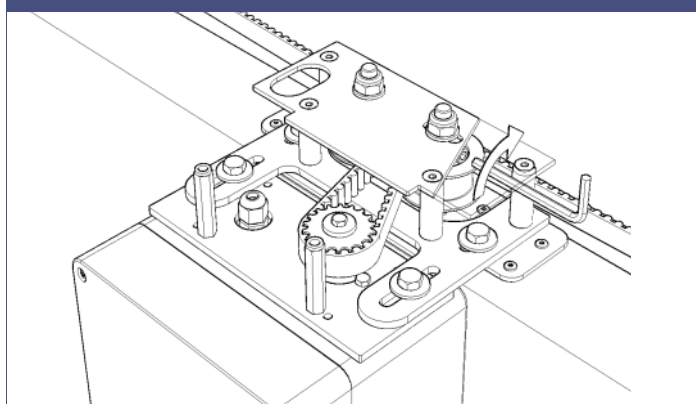


Fig. 03

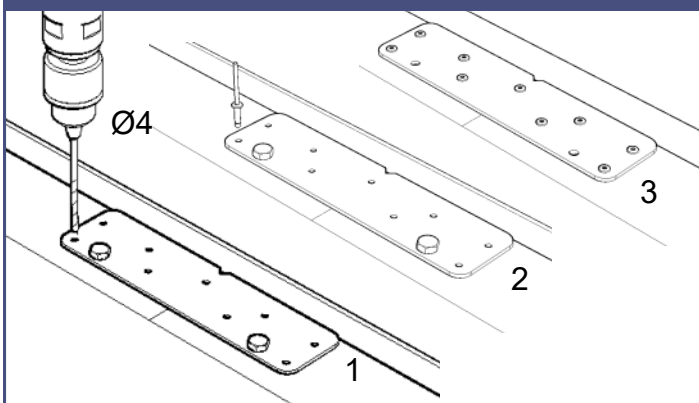


Fig. 07

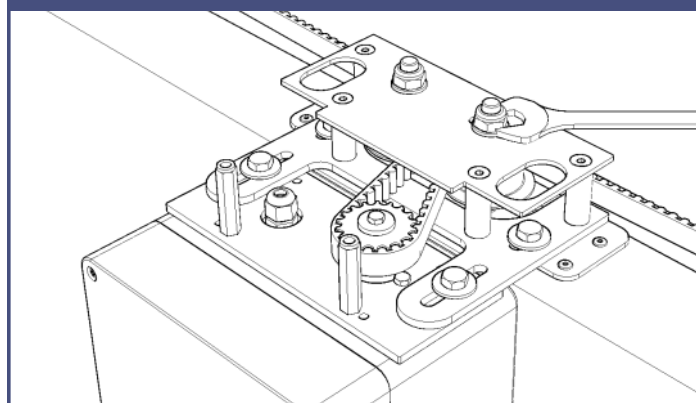


Fig. 04

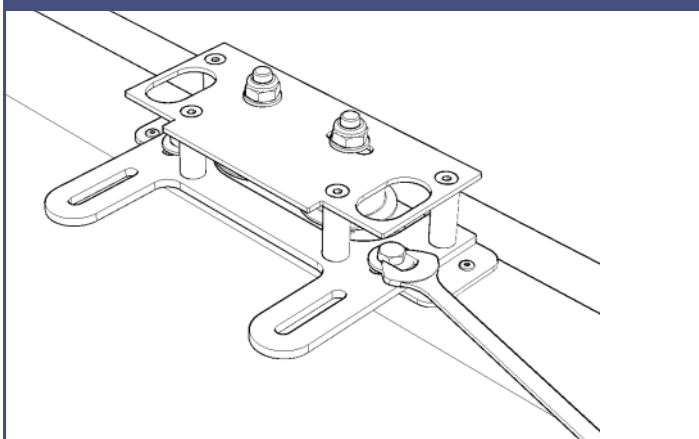


Fig. 08

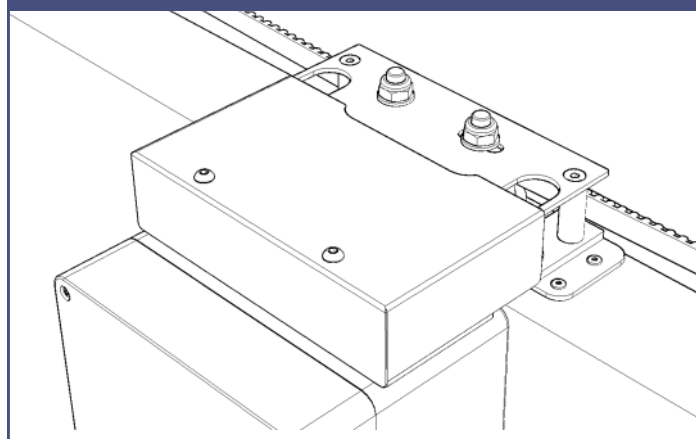


Fig. B1

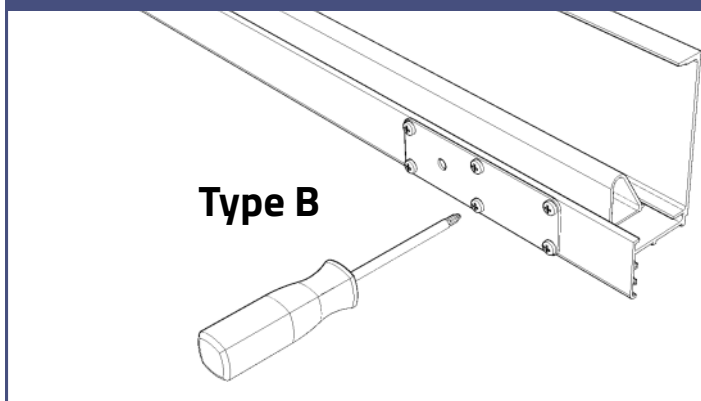


Fig. L1

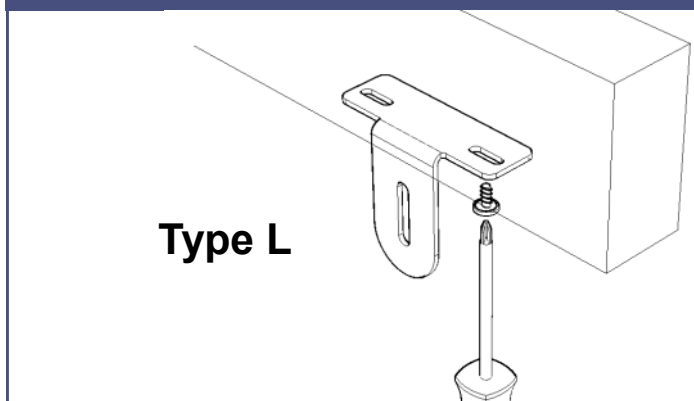


Fig. B2

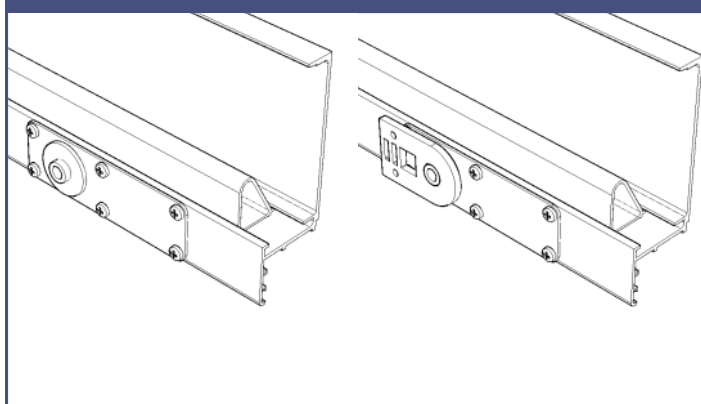


Fig. L2

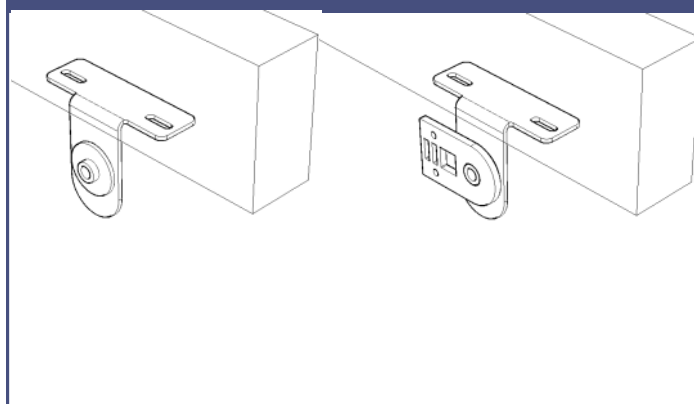


Fig. B3

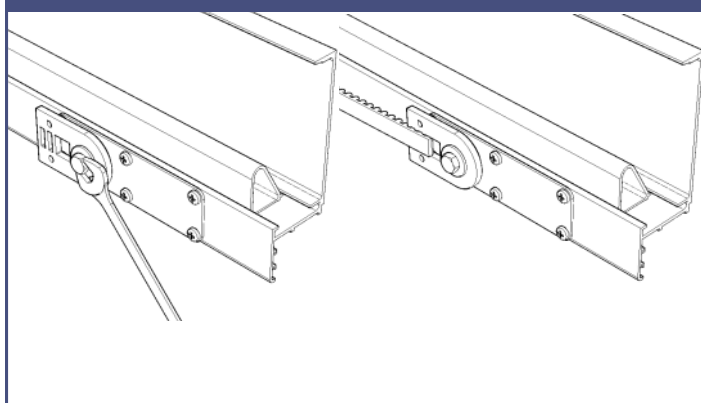


Fig. L3

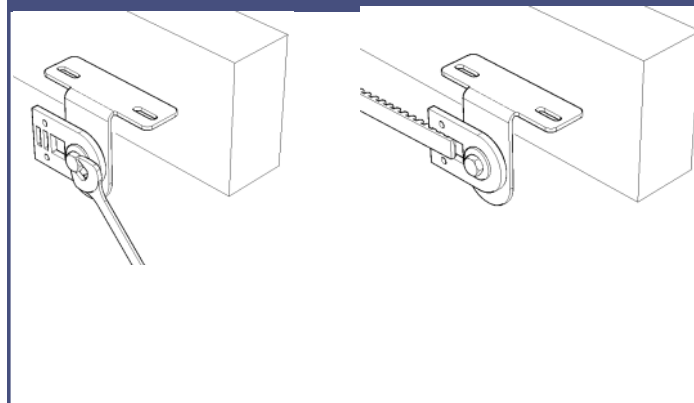


Fig. B4

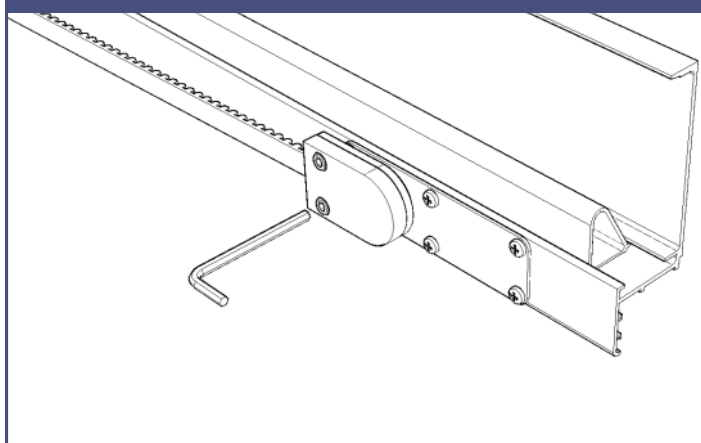


Fig. L4

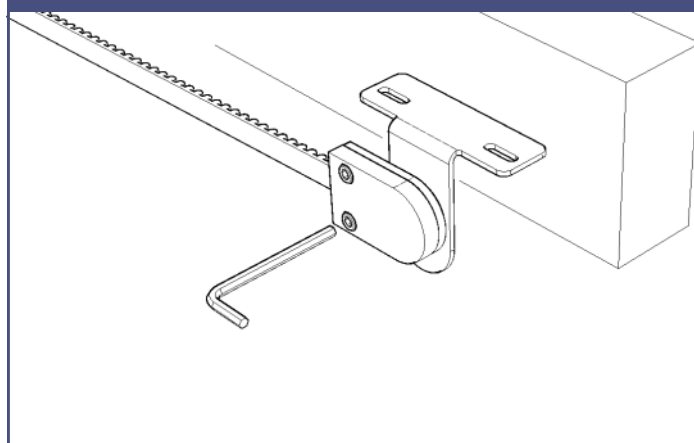


Fig. T1

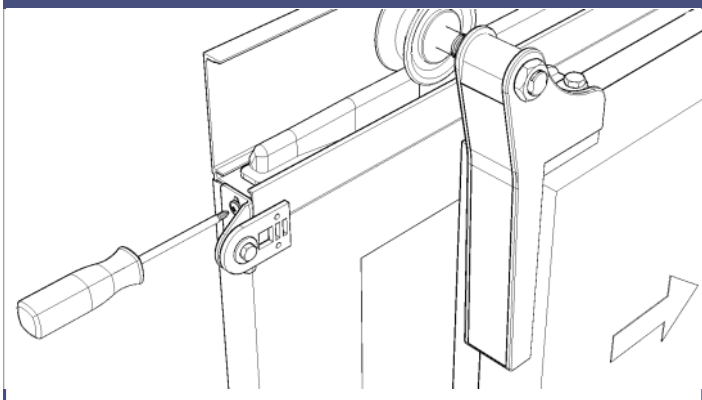


Fig. T2

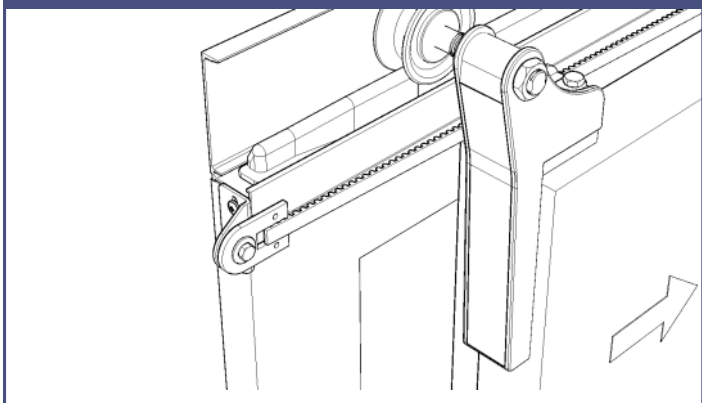


Fig. T3

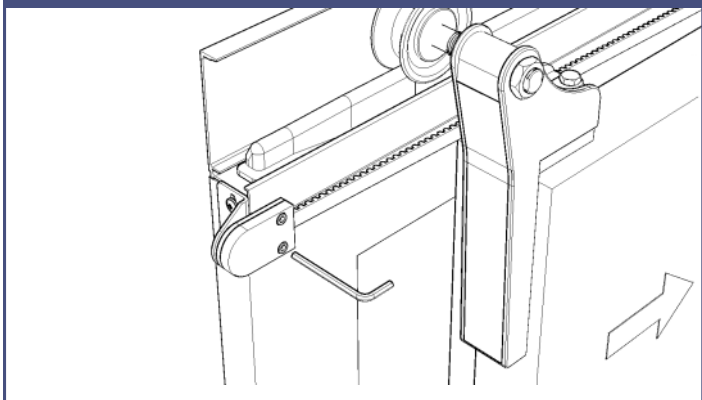


Fig. 41

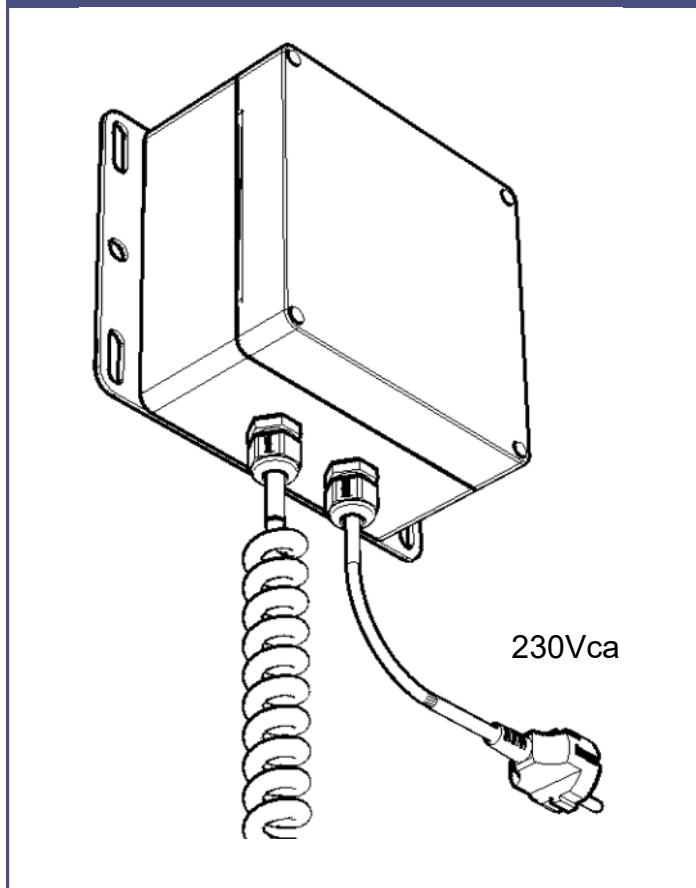
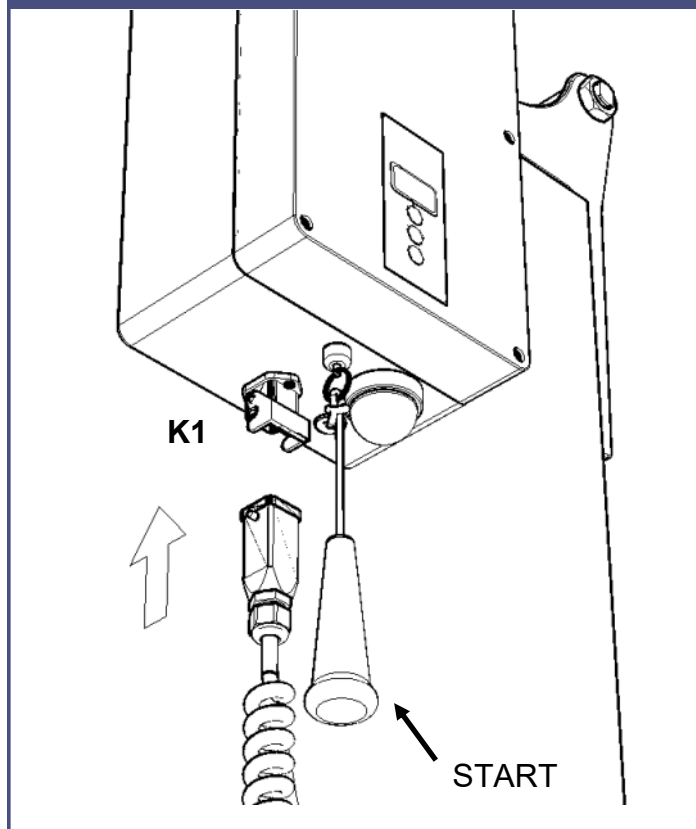
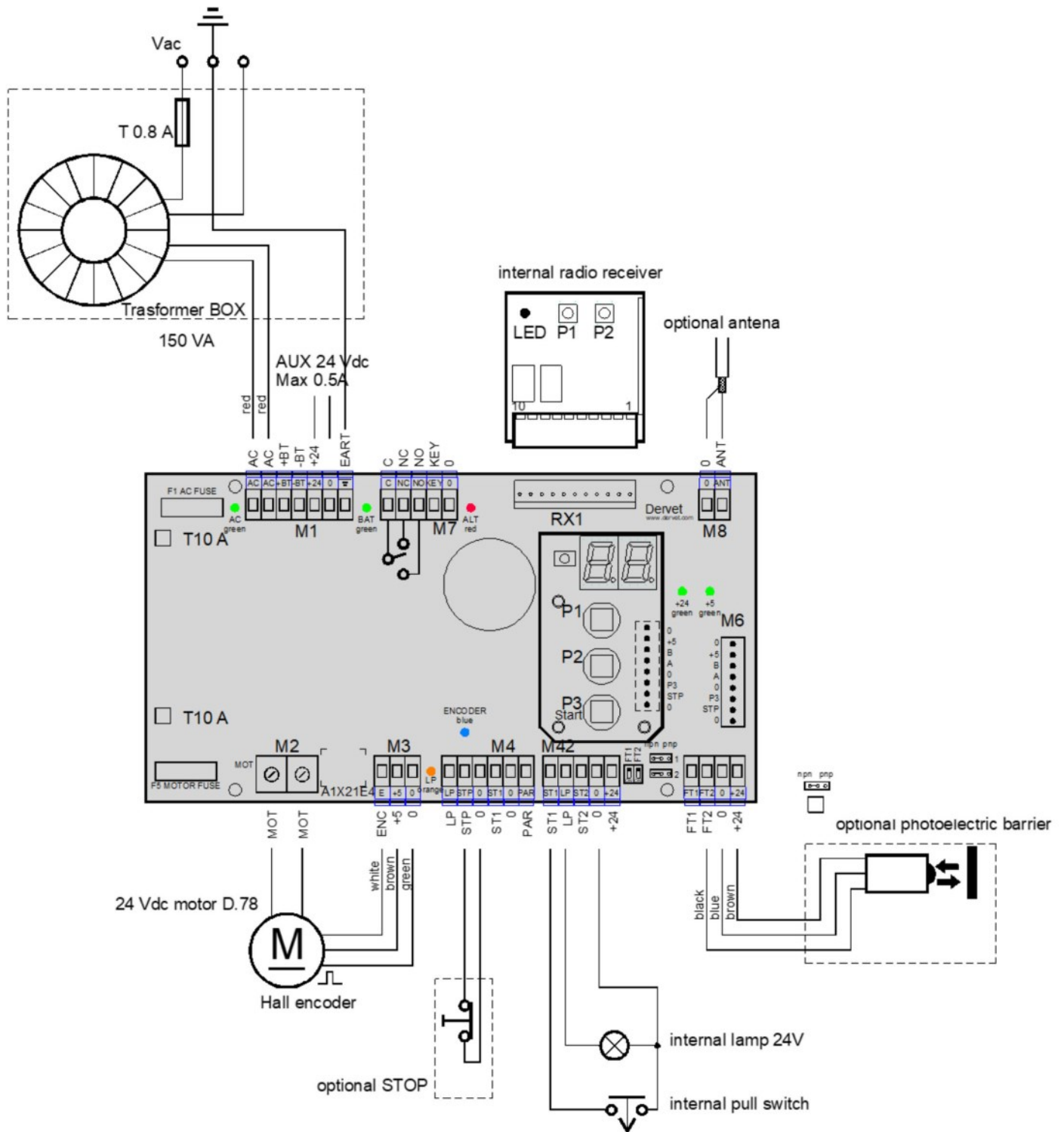


Fig. 42







## USE PRECAUTIONS

Please read carefully what follows:

### GENERAL REMARKS

- The builder reserves the right to bring every useful and necessary modification to its products
- The builder cannot be considered responsible for accidental damages to things and persons risen from a wrong installation or a non correct or neglectful maintenance
- This manual must be preserved (kept) and placed at the technicians disposal before any maintenance operation
- The automation should be used only for the use it has been conceived. Any other use is to be considered improper and therefore dangerous. The builder cannot be considered responsible for damages to things and persons risen from wrong, improper, unreasonable uses
- The use of non original parts can compromise the good working of the automation
- The use of the door without carrying out the programmed maintenance can be a source of danger
- The automation has been designed and realized in such a way as to reduce the sound level emission. The acoustic pressure level results lower than 70 DB (A), noticed from the operating position

### PROHIBITIONS

It is absolutely prohibited to:

- Draw near and to stop nearby the door during the opening and the closing phase
- Introduce hands or other body parts in the space destined to the slide or the door mechanism
- Let children without surveillance to use the door
- Obstruct the opening or the closure of the door or parts of it in movement with any object, equipment or machine
- Modify parts of the automation
- Carry out the maintenance of the automation without the required protection
- Open the panel without having cut off the electric power
- Remove or modify the identification plates fixed on the automation by the builder
- Remove, manhandle or ignore, electrically or mechanically the safety system
- Use the automation in case of obvious bad working of the safety devices
- Restore the functionality of the damaged automation without the help of the authorized personnel or without following scrupulously the assembly instructions
- Change the feeding cord
- Carry out operations that are to be done by the maintenance staff or by authorized personnel
- Use the automation during the maintenance operations

TECNICAL DATA		
PLCG		
Min. clear opening	mm	900
Max clear opening	mm	3300
Max door weight	daN	200
Intermittence		s2
Power supply	Vac	230
Frequency	Hz	50
Power	W	150
Torque	Nm	30
Speed	m/s	0.18
Degree of protection		IP65
Operating temperature	C°	-15 +55

## USE INSTRUCTIONS

### Display

During normal working the display shows the following information:

- OP** open door or in opening phase
- CL** door in closing phase
- St** blocked door for inter-blocking intervention
- bt** battery functioning
- F** photocells intervention
- S** Stop key pressed
- E1** first start after voltage return or after black out, press START for the beginning of the phase of the knock learning
- E3** loose of the accidental position or function change, press START to calibrate
- E4** double safety intervention, remove the hindrance and press START to calibrate

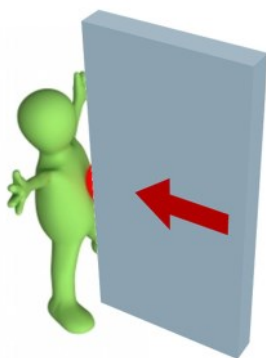
- With the door closed the display will show the number of the thousands openings during the hole life of the door
- With the door opened if the automatic closure is activated the display will show the countdown of the seconds left before closing
- At the ignition the display shows for a few seconds the installed firm-ware version

### Electronic hindrance pointing out

The electronic hindrance pointing out is working both in closing and opening phase. When it intervenes it changes the gear without disabling the automatic closure if this is connected.

If the pointing out intervenes more than two times running the door will invert the gear for 10 cm, and takes the STOP position (disabling the automatic closure if inserted) as if the hindrance is permanent and each movement is dangerous, forcing the personnel to intervene.

Having removed the hindrance, after a START order, the door will carry out a emergency procedure by opening completely at reduced speed, synchronizing automatically.



### Blocking button

The red (mushroom form) button, blocks totally the moving of the door. As to allow the restart of the movement once pushed the button you have to turn it.

### Step by step opening button

The pressing of the START button commands the door as it was configured in the menu.

The electronics points out the pressing of the button with a slight delay as to distinguish incidental problems; therefore press the button thoroughly.

The available modes are:

#### Open / Close Way St = 0

- With closed door The door will open
- In opening phase The door stops and closes again
- With opened door The door will close
- In closing phase The door stops and opens again

#### Open/Stop/Close Way

#### St = 1

With closed door The door will open  
In opening phase The door stops and remains open, pushing again the door will close

With opened door The door will close

In closing phase The door stops and remains open, pushing again the door will open

- If in the AU menu the value 1 is set up "automatic closure" with the door open the command re-establishes the pause time before the closure
- If in the rA menu the value 1 is set up "radar function" when the door is in opening phase the command is ignored

### Power-assisted opening

If in the **UE** menu the value 1 is set up "power-assisted opening" the opening command can be given by moving the door handle whether the external or internal one, the electronic automatic exchange will notice the slight movement of the gear and provides to the partial opening set in parameter **LE** (the automatic closure if inserted will be ignored); the door will remain open till a new start command is given.

### Partial opening

Pressing the **PAR** button, if connected, commands the partial opening of the door 80 to 170 cm according to parameter **LE**. The automatic closing, if active, is ignored, the door stay open until a new start command.

### Functioning in electrical power lack

In lack of electrical power and with the optional backup batteries installed and loaded the door can work for about 50 opening manoeuvre, guaranteeing complete working and speed together with the safety devices.

### Soft start

If in the **SS** menu a value different from 0 is set up, the door starts in the progressive way avoiding tears to the connected machine member.

### Soft stop

If in the **Sb** menu the value 1 is set up, the door will stop softly in case the photocells will intervene or the start button is pushed. If the stop button is pushed or the hindrance electronic point out intervenes the soft stop is disabled.



### **Water hammer**

Setting the value of the function **CA** more than 0, the door after closing delivers a short tear to improve the closure of the seals, the intensity of the tear is set to 4 values using parameter **CA**

### **Inter-block**

The electronic control unit logic manages the inter-block between max. 5 doors chain connected with a simple bight. If a door of the chain is opened all other doors are blocked showing on the display **St**.

### **Alarm Output**

On the M7 connector there are clean contacts(NO C NC), The relay is controlled according to the parameter in the **AL** menu

### **Flashing exit**

The flashing indicator that gives a visual information about the doors functioning has to be connected to the LP exit.

- By opened door it flashes shortly for the set up time, in the **tf** ,function, before beginning to closing movement
- It flashes slowly during the closing or opening phase
- It lightens up steadily during the programming phases
- It lightens up steadily if there is a lack or was a lack of tension, so as to signalize that the automation will begin to work again at the first pushing of the START button
- It lightens up steadily if the door is in partial opening

### **Photocells enter**

There are two independent inputs for photocells **FT1** and **FT2** to be enabled via dip-switch.

Photocells can be equally PNP or NPN, setting the appropriate DIP jumpers

The intervention of the photocell makes the door during the closing phase stops and reverses the direction of travel.

### **Radio control (optional)**

A ten pole swift connector allows the introduction of the dedicated receiver card

## GENERAL SAFETY PRECAUTIONS

This installation manual is intended for professionally competent personnel only.

Before installing the product, carefully read the instructions. Bad installation could be hazardous.

Installation, electrical connections and adjustments must be performed in accordance with Good Working Methods and in compliance with applicable regulations.

For any problem during the mounting, apply to your dealer or directly to MTH, indicating the identification plate data. The drawings (sketches) you find in this manual are only for illustrative reasons; few are simplified and may differ from each specific model. The builder reserves the right to do any change may occur for technical and commercial reasons.

## MACHINERY DIRECTIVE

Pursuant to Machinery Directive the installer who motorises a door or gate has the same obligations as the manufacturer of machinery and as such must:

- Prepare the technical file which must contain the documents indicated in Annex V of the Machinery Directive (the technical file must be kept and placed at the disposal of competent national authorities for least ten years from the date of manufacture of the motorised door)
- Draft the EC declaration of conformity in accordance with Annex II-A of the Machinery Directive and deliver it to the customer
- Affix the CE marking on the power operator door in accordance with point 1.7.3 of Annex I of the Machinery Directive

## STOCKAGE AND HANDLING

The packing is made as to resist to normal transport and handling conditions.

The packed material can be stored and preserved in closed ambient with a temperature between  $-45^{\circ}$  and  $+55^{\circ}$  C and a humidity of 50%.

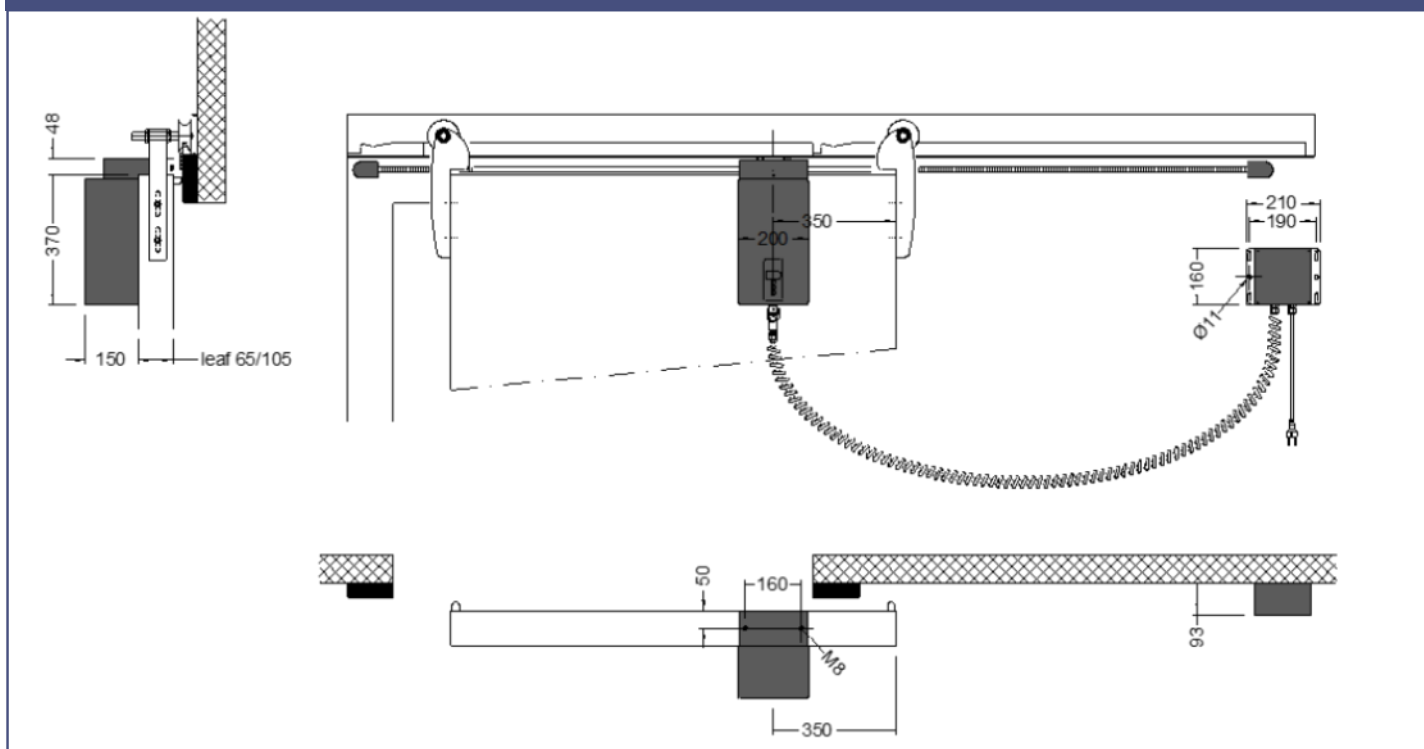
The packing is not waterproof (against rain and humidity)

It is dangerous to leave packing material with which the automation was wrapped (plastic, nails, etc.) in children's reach.

## PRELIMINARY CONTROL

- Before installing the product, make sure it is in perfect condition
- Do not install the product in an explosive environment and atmosphere: gas or inflammable fumes are a serious hazard risk
- Before installing the automation, make all structural changes relating to safety clearances and protection or segregation of all areas where there is risk of being crushed, cut or dragged, and danger areas in general
- Check that the sliding space is enough and that there are no protrusion or hindrance in the encumbrance dimension as shown in (Fig. 02-1)
- The safety devices (photocells, safety edges, emergency stops, etc.) must be installed taking into account: applicable laws and directives, Good Working Methods, installation premises, system operative logic and the forces developed by the motorised door or gate

Fig. 02-1



## ELECTRICAL CONNECTIONS

- The mains connection must be equipped with all-pole disconnect device complies with current regulations, located within reach and clearly identified
- Connect the motorised door or gate to a reliable earth system made in accordance with applicable safety regulations
- During installation, maintenance and repair, interrupt the power supply before opening the lid to access the electrical parts

The switch board and the engine are supplied already mounted and cabled (at the machine board)

the commands and all the accessories, as photocells, flashing indicators, etc. are to be connected on behalf of supplied quick connectors, the user has to provide for the connections and cables and should be made according to the regulations in force in the country where those are installed.

1. The feeding cable (long about 3m 3x1,5mq anti-flame) sticks out from the switch-board and to be connected to the electric system. The cable is put in evidence by a plate
2. The command plunger connector has to be connected To the current tap **K2** set on the switch board – The plunger is already cabled with a cabled long nearly 3m
3. The photocells or the safety limit has to be connected to the current tap **K1**. Only the connector with a internal bridge used for the factory test is supplied, take off the bridge and cable the photocells on the building yard
4. On the current tap **K3** set on the switch board the command and signalling accessories have to be connected without opening the switch-board. Only the connector is supplied; for the connections please refer to the wiring diagram or to (Fig. 02-6)

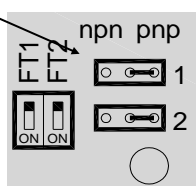
## CONFIGURATION CARD

Before powering, the automation must set some dip-switches depending on the number of photocells connected to the port and the type PNP or NPN.

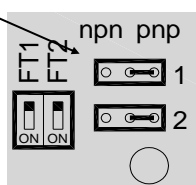
**ON= photocell EXCLUDED** And buttons to enable on display.

### PHOTOCELLS

Near the terminals M5 there are two dip switches to enable or disable the pair of photocells to be set in the following way:

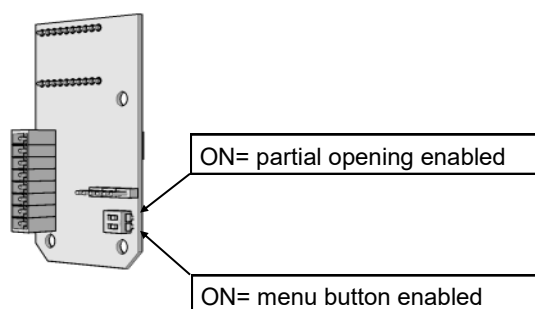


You can install photocells NPN (default) or PNP also so assorted, set the two jumpers as follows:



## DISPLAY

You can disable certain keys of the dip-switch located behind the display



## PROGRAMMING

The door has not traditional electric limit switch, the run limitation and its slowing down are totally managed by the control unit and by the encoder integrated in the motor. The control unit is un-provided with a trimmer to regulate and dip-switch or bridge to set-up.

The door is supplied with factory set-up values for a best use.

### First set-up

At the first ignition the door should be set-up according to the customer's demands and after understanding its run, the activation procedure of the automatic door is very easy:

1. Make sure that the feeding is disconnected
2. Make sure that the eventual backup batteries are disconnected
3. Enable the programming keys **PD1** and **PD2** through dip-switch located on the back of the keypad
4. Opening manually the door for 500mm
5. Active the power supply
6. For a few seconds you will see on the display the installed firmware version installed on the control unit
7. On the display appears written E1
8. Press the P2 button (menu), You enter the programming mode, the movement of the door is inhibited and the display will show the first menu function
9. Press the P2 button repeatedly until the function to modify appears
10. Press the P1 button to increase or the P3 the button to decrease the value
11. Press the P2 button to memorize the new value and to go back to the function menu
12. After programming every function select the function -- and press P1 to exit from the programming
13. Press START, the door will open completely (if not stop immediately the feeding invert the motor terminal and repeat the from the beginning the procedure) and after a pause of a second, the door will close completely finishing the learning phase

### Functions general lines

If you subsequently want to repeat the functions start following procedure:

1. Open the door by pressing START
2. Repeat the first set-up procedure from point 7 to 11
3. Press START, the door will open completely remaining open
4. Press START, the door closes again finishing the procedure

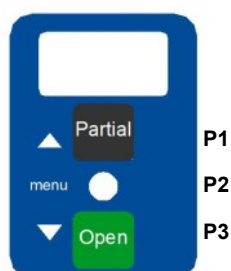
### Run learning after black out

When feeding returns after a black out, the display shows written E1 and the eventual flash lamp, on, with steady light, it is necessary to do the door run learning:

1. If the door is close, open manually the door for 500mm
  2. Press START, the shutter will open completely, and after 1 second pause, the door will close completely finishing the learning procedure
- N.B. This learning procedure has to be done at slackened speed.

### CAUTION:

- **To start programming the door must be completely open**
- **The whole procedure of acquisition of the stroke is performed at slow speed**
- **During the process of acquisition of the stroke is disabled obstacle detection, will remain active only if the photocells are installed**



Function	Disp.	range	Result	Default
Automatic closure	<b>AU</b>	0	OFF	<b>0</b>
		1	ON	
Pause time	<b>tc</b>	0 ÷ 99	in second	<b>4</b>
Pre-flashing time	<b>tf</b>	0 ÷ 10	in second	<b>2</b>
Power-assisted opening	<b>UE</b>	0	OFF	<b>1</b>
		1	Partial opening by moving manually the door handle	
Partial open Lenght in cm	<b>LE</b>	0 ÷ 9	0=80 1=90 2=100 3=110 4=120 5=130 6=140 7=150 8=160 9=170	<b>3</b>
Strong closing system	<b>CA</b>	0	OFF	<b>0</b>
		1 ÷ 4	Push in closing phase as to better the closure of the seals	
START mode	<b>St</b>	0	Opens/closes	<b>0</b>
		1	Opens/stops/closes	
Radar mode	<b>rA</b>	0	OFF	<b>0</b>
		1	In opening phase the START command is ignored	
Delay detection obstacle	<b>SE</b>	0 ÷ 2	0=OFF 1=10% 2=20%	<b>0</b>
Slowi-down speed	<b>SL</b>	0 ÷ 5	0 = very slow	<b>3</b>
Open speed	<b>pA</b>	0 ÷ 5	0 = very slow 5 = maximum	<b>5</b>
Close speed	<b>PC</b>	0 ÷ 5	0 = very slow 5 = maximum	<b>3</b>
Setup speed	<b>PP</b>	0 ÷ 2	0 = very slow 2 = maximum	<b>0</b>
Reduction ratio	<b>rd</b>	1 ÷ 99	Reducer ratio installed	<b>6</b>
Pulley diameter	<b>dp</b>	1 ÷ 99	In millimetres	<b>46</b>
Encoder resolution	<b>pE</b>	0 ÷ 3	0=4P 1=6P 2=8P 3=12P	<b>0</b>
Soft start	<b>SS</b>	0	OFF	<b>1</b>
		1 ÷ 3	1=10% 2=20% 3=30%	
Soft stop	<b>sb</b>	0	OFF	<b>1</b>
		1	ON	
Alarm	<b>AL</b>	0	Relay ON when door close	<b>1</b>
		1	Relay ON when door open	
Key lock	<b>bL</b>	0	OFF	<b>0</b>
		1	ON	
Zero search	<b>Oe</b>	0 ÷ 40	In millimetres, reset card to memorize	<b>40</b>



## PRECAUZIONI PER L'UTILIZZO

Leggere attentamente quanto di seguito riportato

### AVVERTENZE GENERALI

- La casa costruttrice si riserva il diritto di apportare ai propri prodotti tutte le modifiche ritenute utili o necessarie
- Il costruttore non può essere considerato responsabile per eventuali danni a cose o persone, derivanti da una installazione o manutenzione non corretta, errata o negligente
- Il presente manuale deve essere conservato e messo a disposizione del tecnico prima di iniziare qualsiasi operazione di manutenzione
- L'automazione dovrà essere destinata solo all'uso per il quale è stata espressamente concepita. Ogni altro utilizzo è da considerarsi improprio e quindi pericoloso. Il costruttore pertanto, non può essere considerato responsabile di eventuali danni derivanti da usi impropri, erronei ed irragionevoli
- L'uso di parti di ricambio non originali può compromettere il buon funzionamento della porta
- Utilizzare la porta senza aver eseguito le manutenzioni programmate, costituisce fonte di pericolo
- L'automazione è progettata e realizzata in modo da ridurre alla fonte il livello di emissione sonora. Il livello di pressione acustica risulta inferiore a 70 DB (A), rilevato dalla posizione operatore

### DIVIETI

È fatto assoluto divieto di:

- Avvicinarsi e sostare nei pressi della porta durante le fasi di apertura e chiusura
- Introdurre mani ed altre parti del corpo negli spazi destinati alle guide o nei meccanismi della porta
- Far utilizzare la porta ai bambini o da incapaci senza sorveglianza
- Ostacolare l'apertura o la chiusura della porta, o parti di essa, in movimento con qualsiasi oggetto, attrezzatura o macchina
- Fare modifiche o alterare componenti dell'automazione
- Eseguire la manutenzione sull'automazione senza le protezioni indicate dalle normative vigenti
- Aprire il quadro elettrico prima di aver staccato la corrente.
- Rimuovere o alterare le targhette identificative apposte dal costruttore
- Rimuovere, manomettere o eludere, meccanicamente o elettricamente i sistemi di sicurezza
- Utilizzare l'automazione nel caso di evidente malfunzionamento dei dispositivi di sicurezza
- Ripristinare la funzionalità dell'automazione guasta senza il supporto di personale specializzato o non seguendo scrupolosamente le istruzioni di montaggio
- Sostituire il cordone di alimentazione
- Eseguire operazioni riservate ai manutentori o ai tecnici qualificati
- Utilizzare l'automazione durante le operazioni di manutenzione

DATI TECNICI		
PLCG		
Larghezza porta min.	mm	900
Larghezza porta max.	mm	3300
Peso anta max.	daN	200
Intermittenza		s2
alimentazione	Vac	230
Frequenza	Hz	50
Assorbimento	W	150
coppia	Nm	30
velocità	m/s	0.18
Grado di protezione		IP65
Temperatura esercizio	C°	-15 +55

## ISTRUZIONI DI UTILIZZO

### Display

Nel funzionamento normale il display indica le seguenti informazioni:

- OP** porta aperta o in fase di apertura
- CL** porta in fase di chiusura
- St** porta bloccata per intervento interblocco
- bt** funzionamento a batteria
- F** intervento fotocellule
- S** tasto stop premuto
- E1** primo avvio o ritorno tensione dopo black out, premere START per inizio fase di apprendimento battute
- E3** perdita posizione accidentale o cambio funzioni, premere START per calibrare
- E4** doppio intervento sicurezze, rimuovere l'ostacolo e premere START per calibrare

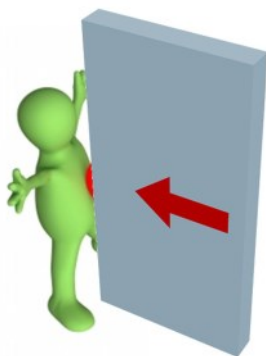
- A porta chiusa il display indica le migliaia di aperture effettuate nella vita della porta, raggiunte le 100 mila aperture il conteggio riparte da zero
- A porta aperta se attivata la chiusura automatica il display mostra il conto alla rovescia dei secondi rimanenti prima della chiusura
- All'accensione il display mostra per alcuni secondi la versione del firmware installato

### Rilevazione elettronica ostacolo

La rilevazione elettronica dell'ostacolo è attiva sia in chiusura che in apertura. Quando interviene inverte la marcia senza disabilitare la chiusura automatica nel caso sia inserita.

Se la rilevazione interviene per più di due volte consecutive la porta inverte la marcia per dieci centimetri liberandosi dall'ostacolo e si posiziona in STOP (disabilitando la chiusura automatica se inserita) presumendo che l'ostacolo è permanente e qualsiasi movimento potrebbe essere pericoloso, costringendo l'utente ad intervenire.

Rimosso l'ostacolo ad un nuovo comando di START la porta esegue una procedura di emergenza effettuando una apertura completa a velocità ridotta fino alla massima battuta di apertura, sincronizzandosi automaticamente.



### Pulsante di blocco

Il pulsante a fungo rosso, blocca istantaneamente il movimento totale della porta sia in chiusura che apertura. Per uscire dal blocco basta ruotare a destra oppure a sinistra il fungo rosso e premere START, la porta si apre rimanendo aperta in attesa di un nuovo comando di START per la chiusura (ignorando la chiusura automatica se attiva)

### Pulsante di apertura passo/passaggio

L'azionamento del pulsante **START** comanda il moto della porta in funzione della configurazione impostata nel menu.

L'elettronica rileva la pressione del tasto con un leggero ritardo per discriminare eventuali disturbi, pertanto premere a fondo il pulsante.

Le modalità disponibili sono:

### Modo apre/chiude St = 0

- |                |                                |
|----------------|--------------------------------|
| a porta chiusa | la porta si apre               |
| in apertura    | la porta si arresta e richiude |
| a porta aperta | la porta si chiude             |
| in chiusura    | la porta si arresta e riapre   |

### Modo apre/stop/chiude St = 1

- |                |  |
|----------------|--|
| a porta chiusa | la porta si apre   |
| in apertura    | la porta si arresta e rimane aperta, premendo nuovamente la porta richiude |
| a porta aperta | la porta si chiude   |
| in chiusura    | la porta si arresta e rimane aperta, premendo di nuovo la porta riapre     |

- Se impostato il valore 1 nel menu AU "chiusura automatica" a porta aperta il comando ripristina il tempo di pausa prima della chiusura
- Se impostato il valore 1 nel menu rA "funzione radar" quando la porta è in movimento di apertura il comando viene ignorato

### Servo apertura

Se impostato il valore 1 nel menu UE "servo apertura", il comando di apertura può essere impartito anche semplicemente azionando la maniglia a leva di apertura manuale, sia esterna che interna, la centralina elettronica rileva il leggero movimento del motore e provvede all'apertura parziale impostata nel parametro LE, la chiusura automatica, se attiva, viene ignorata, la porta rimane aperta fino ad un nuovo comando di START.

### Apertura parziale

La pressione del pulsante **PAR**, se collegato, comanda l'apertura parziale della porta da 80 a 170 cm in funzione del parametro LE.

La chiusura automatica, se attiva, viene ignorata, la porta rimane aperta fino ad un nuovo comando di START.

### Funzionamento in assenza di energia elettrica

In assenza di energia elettrica e con le batterie tampone opzionali installate e cariche la porta funziona per almeno cinquanta manovre di apertura, garantendo la totale operatività e velocità compreso tutti i dispositivi di sicurezza.



### Soft start

Impostando ad un valore diverso da zero la funzione **SS** nel menu, la porta si avvia in modalità progressiva evitando strappi agli organi meccanici collegati.

### Soft stop

Impostando a 1 la funzione **Sb** nel menu, l'arresto della porta avviene molto dolcemente nel caso intervengano le fotocellule o si preme il pulsante di start, il soft stop è disabilitato se premuto stop o se interviene la rilevazione elettronica dell'ostacolo.

### **Colpo d'ariete**

Impostando ad un valore maggiore di zero la funzione **CA** nel menu, la porta dopo la chiusura sferra un breve strappo per migliorare la chiusura delle guarnizioni di tenuta, l'intensità dello strappo è impostata su 4 valori tramite il parametro **CA**

### **Interblocco**

La logica della centralina gestisce l'interblocco tra un massimo di 5 porte collegate ad anello con un semplice doppino, se una porta dell'anello viene aperta tutte le altre si bloccano mostrando sul display la scritta **St**.

### **Uscita allarme**

Sul connettore M7 sono presenti i morsetti C NC NO collegati a contatti puliti di un rele, Il relè si eccita in funzione del parametro **AL** nel menu

### **Uscita lampeggiatore**

All'uscita LP va collegato il lampeggiatore che fornisce una informazione visiva del funzionamento della porta

- a porta aperta, effettua un lampeggio veloce per il tempo impostato, nella funzione **tf**, prima di iniziare il moto di chiusura
- lampeggia lentamente durante il movimento della porta sia in apertura che chiusura
- Si illumina fisso durante le fasi di programmazione
- Si illumina fisso se manca o è mancata la tensione di rete, in modo da segnalare che l'automazione procederà all'apprendimento delle battute alla prima pressione del pulsante di START
- Si illumina fisso se la porta è in apertura parziale

### **Ingresso fotocellule**

Sono presenti due ingressi indipendenti per fotocellule **FT1** e **FT2** da abilitare tramite dip-switch.

Le fotocellule possono essere indistintamente di tipo PNP o NPN, settando gli opportuni ponticelli

L'intervento delle fotocellule fa sì che la porta in fase di chiusura si fermi ed inverta il senso di marcia.

### **Radiocomando (optional)**

Un connettore rapido a dieci poli permette l'inserimento della scheda ricevente dedicata

## AVVERTENZE GENERALI

Il presente manuale di installazione è rivolto esclusivamente a personale professionalmente competente.

Leggere attentamente le istruzioni prima di iniziare l'installazione del prodotto.

L'installazione, i collegamenti elettrici e le regolazioni devono essere effettuati nell'osservanza della Buona Tecnica ed in ottemperanza alle norme vigenti.

Per qualsiasi problema che dovesse insorgere durante la fase di montaggio, rivolgersi al rivenditore da cui è stata acquistata l'automazione, oppure alla MTH stessa, riportando i dati presenti sulla targhetta identificativa. I disegni contenuti nel presente manuale, sono redatti a puro titolo esemplificativo; per motivi di chiarezza alcuni di essi sono semplificati rispetto alla situazione reale di ogni specifico modello. Il costruttore si riserva il diritto di apportare al prodotto, tutte le variazioni e le modifiche che per motivi tecnici e commerciali si rendessero necessarie.

## DIRETTIVA MACCHINE

Ai sensi della direttiva vigente l'installatore che motorizza una porta ha gli stessi obblighi del costruttore di una macchina e come tale deve:

- Predisporre il fascicolo tecnico che dovrà contenere i documenti indicati nell'allegato V della Direttiva Macchine (il fascicolo deve essere conservato e tenuto a disposizione delle autorità nazionali competenti per almeno dieci anni a decorrere dalla data di costruzione della porta motorizzata)
- Redigere la dichiarazione CE di conformità secondo l'Allegato II-A della Direttiva Macchine e consegnarla al cliente
- Apporre la marcatura CE sulla porta motorizzata ai sensi del punto 1.7.3 dell'Allegato I della Direttiva Macchine

## STOCCAGGIO E MOVIMENTAZIONE

Gli imballi sono realizzati per resistere a normali condizioni di trasporto e movimentazione.

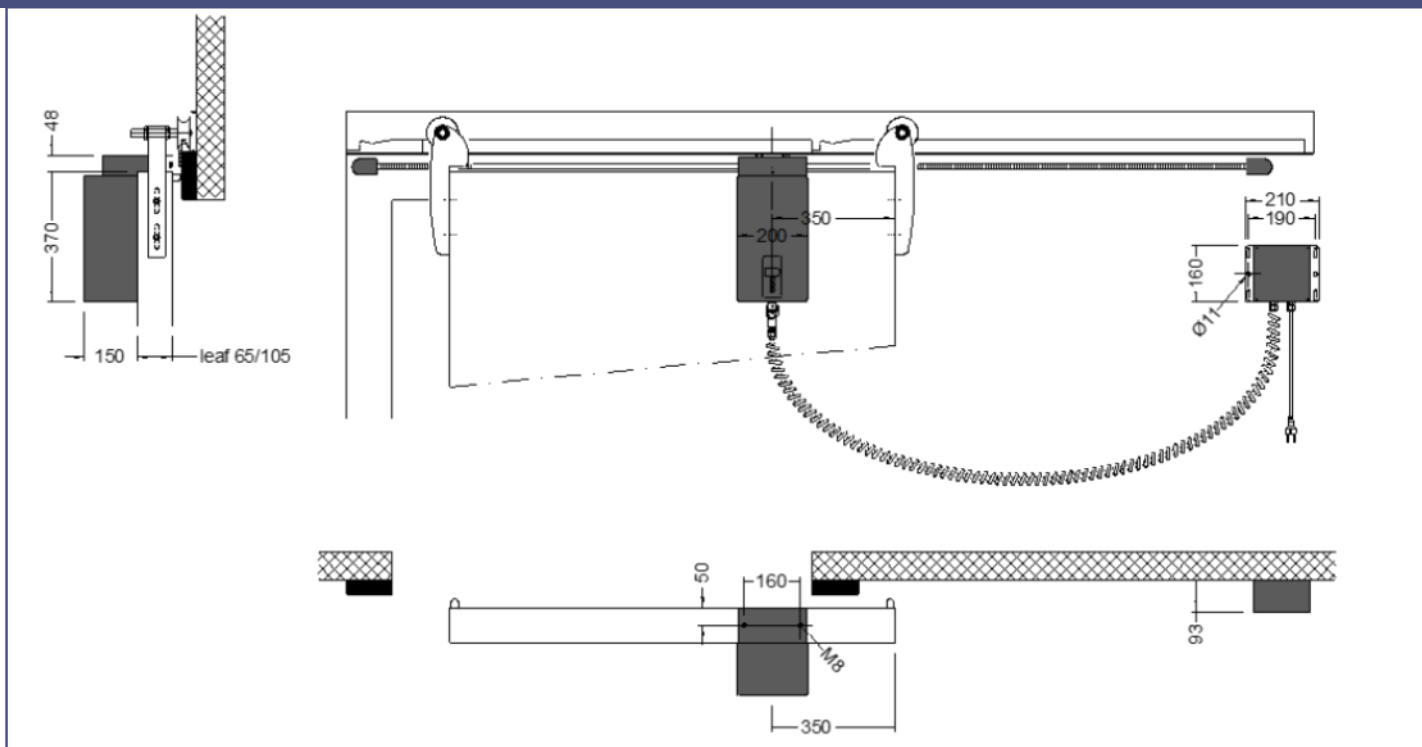
Il materiale imballato può essere immagazzinato e conservato in ambienti coperti in cui la temperatura sia compresa tra  $-15^{\circ}$  e  $+55^{\circ}$  C con umidità del 50%. NB: l'imballo standard non è impermeabilizzato contro la pioggia e l'umidità.

Abbandonare elementi dell'imballaggio dell'automazione (sacchetti di plastica, chiodi, ecc.) alla portata dei bambini costituisce fonte di pericolo.

## CONTROLLI PRELIMINARI

- Prima di iniziare l'installazione verificare l'integrità del prodotto
- Non installare il prodotto in ambiente ed atmosfera esplosivi, presenza di gas o fumi infiammabili costituiscono grave pericolo per la sicurezza
- Apportare tutte le modifiche strutturali relative alla realizzazione dei franchi di sicurezza ed alla protezione o segregazione di tutte le zone di schiacciamento, cesoiamento, convogliamento e di pericolo in genere
- Controllare che lo spazio per lo scorrimento sia sufficiente e che non ci siano sporgenze od ostacoli nelle dimensioni d'ingombro come indicato nella (Fig. 02-1)
- I dispositivi di sicurezza (fotocellule, coste sensibili, stop di emergenza, ecc.) devono essere installati tenendo in considerazione le normative e le direttive in vigore, i criteri della Buona Tecnica, l'ambiente di installazione, la logica di funzionamento del sistema e le forze sviluppate dalla porta motorizzata

Fig. 02-1



## COLLEGAMENTI ELETTRICI

- **L'allacciamento alla rete deve essere dotato di dispositivo di disconnessione onnipolare conforme alle normative vigenti, ubicato in posizione raggiungibile e chiaramente identificato**
- Collegare la porta ad un efficace impianto di messa a terra eseguito come indicato dalle vigenti norme di sicurezza
- Durante gli interventi di installazione, manutenzione e riparazione, togliere l'alimentazione prima di aprire il coperchio per accedere alle parti elettriche

Eventuali comandi e tutti gli accessori, quali fotocellule, lampeggiatori ecc. vanno collegati al quadro mediante morsetti, i collegamenti e cablaggi sono a carico dell'utente e devono essere eseguiti nel rispetto delle normative vigenti nel paese al momento dell'installazione.

- Dal quadro elettrico fuoriesce il cavo di alimentazione 3x1,5 mq lungo circa 1,5 metri con spina da collegare alla rete elettrica
- Alla presa **K1** presente sul quadro va collegata la pulsantiera remota di comando
- Alla presa **K2** presente sul quadro vanno collegate le fotocellule se previste

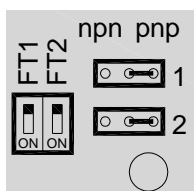
## CONFIGURAZIONE SCHEDA

Prima di alimentare la porta si devono impostare alcuni dip-switch in funzione del numero di fotocellule collegate alla porta e la tipologia PNP oppure NPN ed i tasti da abilitare sul display.

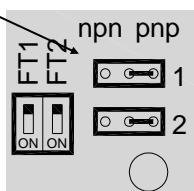
### FOTOCELLULE

In prossimità dei morsetti fotocellule M5 sono presenti due dip-switch, per abilitare o meno la coppia di fotocellule da impostare nel seguente modo:

ON= fotocellula ESCLUSA

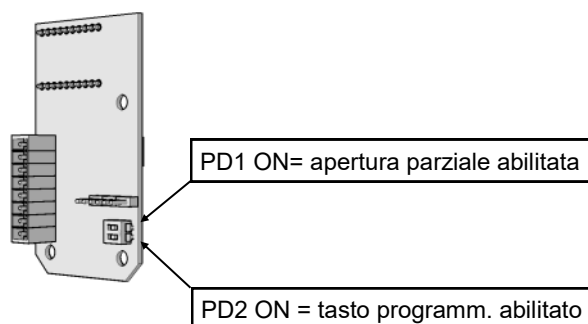


È possibile installare DUE coppie di fotocellule di tipo PNP (default) oppure NPN anche in modo assortito, settare i due ponticelli nel seguente modo:



### DISPLAY

È possibile disabilitare alcuni tasti del tastierino tramite dip-switch posto dietro il display



## PROGRAMMAZIONE

La porta è sprovvista di finecorsa elettrici tradizionali, la limitazione della corsa ed i rallentamenti sono gestiti totalmente dalla centralina e dall'encoder integrato nel motore, la centralina è inoltre sprovvista di trimmer da regolare.

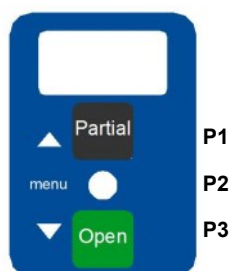
La programmazione delle funzioni che permette di configurare la porta secondo le proprie esigenze, avviene in modo intuitivo utilizzando tre tasti ed il display a due cifre, i valori sono conservati nella memoria anche in caso di assenza di alimentazione elettrica.

La porta viene fornita con valori impostati di fabbrica per un uso ottimale.

### Primo Setup

Alla prima accensione la porta deve essere impostata secondo le esigenze del cliente ed effettuata l'apprendimento della corsa, la procedura per attivare la porta automatica è molto semplice:

1. Assicurarsi che l'alimentazione sia scollegata
2. Assicurarsi che le eventuali batterie tampone siano scollegate
3. Abilitare i tasti di programmazione **PD1 e PD2** tramite dip-switch posto nel retro del tastierino
4. Aprire manualmente la porta per circa 500mm
5. Alimentare la centralina
6. Appare per pochi secondi la versione del firmware installata nella centralina
7. Appare la scritta E1 sul display
8. Premere il tasto P2 (menu), si entra in modalità programmazione, il movimento della porta viene inibito ed il display visualizza la prima funzione del menu
9. Premere ripetutamente il pulsante P2 (menu) fino alla comparsa della funzione che si desidera modificare
10. Premere il pulsante P1 per aumentare il valore o il pulsante P3 per diminuirlo
11. Premere il pulsante P2 per memorizzare il nuovo valore e tornare nel menu delle funzioni
12. Al termine della programmazione delle varie funzioni, evidenziare la funzione -- e premere P1 per uscire dalla programmazione
13. Premere START, l'anta andrà in apertura fino alla battuta (in caso contrario interrompere immediatamente l'alimentazione, invertire il morsetto del motore e ripetere da capo la procedura) dopo un secondo di pausa, la porta si chiuderà completamente terminando così la fase di apprendimento delle battute



### Impostazione funzioni

Se si desidera ripetere successivamente l'impostazione delle funzioni seguire la seguente procedura:

1. Aprire la porta premendo START
2. Ripetere la procedura di primo setup dal punto 8 fino al punto 12
3. Premere START, l'anta andrà in apertura fino alla battuta, rimanendo aperta
4. Premere START, la porta si richiuderà terminando la procedura

### Apprendimento corsa dopo black out

Al ritorno di alimentazione dopo un black out sul display compare la scritta E1 e l'eventuale lampeggiante, acceso a luce fissa, è necessario effettuare l'apprendimento delle battute, la procedura è molto semplice:

1. Se la porta è chiusa, aprire manualmente la porta per circa 500mm
2. Premere START, l'anta andrà in apertura fino alla battuta, dopo un secondo di pausa, la porta si chiuderà completamente terminando così la fase di apprendimento delle battute

### ATTENZIONE:

- **Per entrare nella programmazione la porta deve essere completamente aperta**
- **Tutta la procedura di acquisizione della corsa viene eseguita a velocità rallentata**
- **Durante la procedura di acquisizione della corsa è disabilitato il rilevamento degli ostacoli, rimangono attive solamente le fotocellule se installate**

Funzione	Disp.	range	Effetto	Default
Chiusura automatica	<b>AU</b>	0	disinserita	<b>0</b>
		1	Inserita	
Tempo pausa	<b>tc</b>	0 + 99	in secondi	<b>4</b>
Tempo lampeggio	<b>tf</b>	0 + 10	In secondi	<b>2</b>
Servo-apertura	<b>UE</b>	0	disinserita	<b>1</b>
		1	apertura parziale azionando manualmente la maniglia della porta	
Apertura parziale Luce in cm	<b>LE</b>	0 + 9	0=80 1=90 2=100 3=110 4=120 5=130 6=140 7=150 8=160 9=170	<b>3</b>
Colpo d'ariete	<b>CA</b>	0	disinserito	<b>0</b>
		1 + 4	spinta in chiusura per migliorare la tenuta delle guarnizioni	
Funzionalità pulsante START	<b>St</b>	0	apre/chiude	<b>0</b>
		1	apre/stop/chiude	
Radar	<b>rA</b>	0	disinserita	<b>0</b>
		1	In apertura il comando di START viene ignorato	
Ritardo rilevazione elettronica ostacolo	<b>SE</b>	0 + 2	0=OFF 1=10% 2=20%	<b>0</b>
Velocità rallentamento	<b>SL</b>	0 + 5	0=molto lenta	<b>3</b>
Velocità apertura	<b>pA</b>	0 + 5	0=molto lenta 5=massima	<b>5</b>
Velocità chiusura	<b>PC</b>	0 + 5	0=molto lenta 5=massima	<b>3</b>
Velocità setup	<b>PP</b>	0 + 2	0=molto lenta 2=massima	<b>0</b>
Rapporto riduzione	<b>rd</b>	1 + 99	Rapporto riduttore installato	<b>6</b>
Diametro puleggia	<b>dp</b>	1 + 99	In millimetri	<b>46</b>
Risoluzione encoder	<b>pE</b>	0 + 3	0=4P 1=6P 2=8P 3=12P	<b>0</b>
Soft start	<b>SS</b>	0	0=disinserito	<b>1</b>
		1 + 3	1=10% 2=20% 3=30%	
Soft stop	<b>sb</b>	0	disinserito	<b>1</b>
		1	inserito	
Allarme	<b>AL</b>	0	Il relè si eccita quando la porta è chiusa	<b>1</b>
		1	Il relè si eccita quando la porta è aperta	
Interblocco	<b>bL</b>	0	Disinserito	<b>0</b>
		1	Inserito	
Distanza ricerca zero	<b>Oe</b>	0 + 40	In millimetri, resettare scheda per memorizzare	<b>40</b>

## RECOMENDACIONES PARA EL USO

Lea atentamente lo que sigue

### INFORMACIÓN GENERAL

- El fabricante se reserva el derecho de hacer sus productos cambios estime conveniente o necesario
- El fabricante no se hace responsable de los daños a personas o propiedad derivados de la instalación o mantenimiento inadecuado, incorrecto o negligente
- Este manual debe conservarse y ponerse a disposición del técnico antes de comenzar cualquier trabajo de mantenimiento
- Automation debe ser utilizado sólo para el propósito para el que fue diseñado. Ningún otro uso se considera impropio y por tanto peligroso. El fabricante, por lo tanto no se hace responsable de los daños causados por inadecuada, errónea e irracional
- El uso de repuestos no originales también puede afectar el correcto funcionamiento de la puerta
- Utilice el puerto sin realizar el mantenimiento programado, que constituye una fuente de peligro
- Automation está diseñado y construido para reducir la fuente del nivel de ruido. El nivel de ruido es inferior a 70 dB (A), detectado por el operador posición

### PROHIBICIONES

Está absolutamente prohibido:

- Acercarse y de pie junto a la puerta durante las fases de apertura y cierre
- Introducir las manos y otras partes del cuerpo en el espacio disponible para las guías o en los mecanismos de la puerta
- Para utilizar el puerto para los niños o disabled sin supervisión
- Impedir la apertura o cierre de la puerta, o partes de él, en el movimiento con cualquier objeto, equipo o máquina
- Realice los componentes de automatización cambio o alteración
- Realizar el mantenimiento en la automatización sin las protecciones especificadas por normativa
- Abra el panel eléctrico antes de desconectar la alimentación
- Eliminar o alterar las etiquetas de identificación fijadas por el fabricante
- Eliminar, manipular o evadir los sistemas de seguridad mecánica o electrónicamente
- Utilizando Automatización en el caso de mal funcionamiento obvia de los dispositivos de seguridad
- Restaurar la automatización de la función falla sin el apoyo de personal especializado y no seguir las instrucciones de montaje
- Sustituya el cable de alimentación
- Realizar operaciones reservadas para el personal de mantenimiento o técnicos calificados
- Utilizar automatización durante las operaciones de mantenimiento

DATI TECNICI		
PLCG		
Puerta Ancho mín.	mm	900
Puerta Ancho max.	mm	3300
Peso máximo de la puertas	daN	200
Intermittenza		s2
Alimentacion	Vac	230
Frequenza	Hz	50
Potencia del motor	W	150
Par motor	Nm	30
Velocidad	m/s	0.18
Grado de protección		IP65
Temperatura de funcionamiento	C°	-15 +55



## INSTRUCCIONES DE USO

### Display

En funcionamiento normal, el display muestra la siguiente información:

<b>OP</b>	puerta abierta o en la fase de apertura
<b>CL</b>	puerta en la fase de cierre
<b>St</b>	interlock puerta cerrada para la intervención
<b>bt</b>	funcionamiento de la batería
<b>F</b>	fotocélulas
<b>S</b>	botón de Stop
<b>E1</b>	primero empezar o devolver el poder después de cortes, presione START para comenzar a aprender líneas de fase
<b>E3</b>	funciones accidentales posición pérdida o cambio, presione START para calibrar
<b>E4</b>	seguridad doble acción, retire el obstáculo y pulse START para calibrar

- Con la puerta cerrada, la pantalla display los miles de aberturas hechas en la vida de la puerta
- Con la puerta abierta cuando se activa el cierre de la visualización automática muestra la cuenta atrás de los segundos restantes antes del cierre
- El display se muestra durante unos segundos la versión del firmware instalado

### DetECCIÓN DE OBSTÁCULOS ELECTRÓNICO

Detección electrónica de obstáculos está activo tanto en cierre y apertura. Cuando tomen medidas invierte la dirección sin deshabilitar el cierre automático si se inserta.

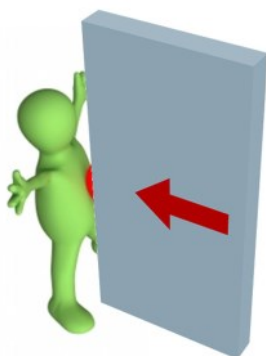
Si la detección se produce durante más de dos veces consecutivas la puerta retrocede a diez centímetros unstick y se ubica en STOP (desactivación de cierre automático si está insertada) Suponiendo que el obstáculo es permanente y cualquier movimiento podría ser peligroso, obligando al usuario intervenga. Se ha eliminado el obstáculo para un nuevo comando START la puerta lleva a cabo un procedimiento de emergencia mediante la realización de una apertura completa en la reducción de la velocidad hasta el tope máximo de apertura, la sincronización automática.

### Botón de bloqueo

El botón rojo de setas bloquea el movimiento total de la puerta. Que permita un reinicio del movimiento cuando se pulsa el botón de emergencia, se debe girar.

### Botón de apertura paso/paso

Al pulsar el botón START controla el movimiento de la puerta en función del conjunto de configuración en el menú. La electrónica detecta la prensa de un ligero retraso para discriminar el ruido y, por tanto, pulsar el botón.



Le modalità disponibili sono:

<b>Modo apertura / cierre</b>	<b>St =0</b>
puerta cerrada	la puerta se abre
apertura	la puerta se detiene y vuelve a cerrar
con la puerta abierta	se cierra la puerta
in cierre	la puerta se detiene y vuelve a abrir

### Modo abierta / stop / cierre St =1

puerta cerrada	la puerta se abre
apertura	la puerta se detiene y permanece abierta, al pulsar de nuevo se cierra la puerta
con la puerta abierta	se cierra la puerta
in cierre	la puerta se detiene y vuelve a abrir

- Si configura el valor 1 de menú AU "Cierre automatico" la puerta está abierta las restablece comando tiempo de pausa antes del cierre
- Si configura el valor 1 de menú RA "la función del radar" cuando se tiene en cuenta apertura comando de movimiento de la puerta

### Servo apertura

Si configura el valor 1 de menú UE "servo apertura", el control de apertura se puede impartir incluso simplemente de utilizar la maneta palanca de apertura manual, tanto externa como interna, la unidad de control electrónico detecta el leve movimiento del motor y proporciona la apertura de conjunto parcial en el parámetro LE, cierre automático, si está activo, se ignora, la puerta permanece abierta hasta una nueva orden de marcha.

### Abertura parcial

Al presionar el botón PAR, si está conectado, controla la apertura parcial de la puerta 80 a 170 cm dependiendo del parámetro. Cierre automático, si está activo, se ignora, la puerta permanece abierta hasta una nueva orden de marcha.

### Funcionamiento en caso de corte de energía

Ante la falta de energía eléctrica y las baterías tampón instaladas cargas opcionales, y la puerta se opera por al menos cincuenta maniobras apertura, lo que garantiza la velocidad total de la operación y que incluye todos los dispositivos de seguridad.



### Soft start

Con la creación de una función de valor distinto de cero SS en el menú, la puerta se inicia en modo progresivo, evitando arrebato mecánicos conectados.

### Soft stop

Si configura el valor 1 de menú Sb menú, parando la puerta es muy suavemente si las fotocélulas intervienen o se pulsa el botón de inicio, la parada suave se desactiva que la velocidad o detenerse interviene si la detección de obstáculos electrónico.

### El golpe de ariete

Al establecer a un valor mayor que cero la función **CA** en el menú, la puerta después de cierre suministra una breve racha para mejorar el cierre de los sellos, de la sacudida se establece en 4 por medio de valores de los parámetros

**CA**

### Interbloc

La lógica de la unidad de control opera el interbloqueo entre un máximo de 5 puertos conectados, si una puerta se abre todo el otro bloqueo que muestra en el display **St**.

### Alarm output

Del conector M7 en los terminales están conectados C NC NO contactos secos de un relé, el relé se activa en función del parámetro **AL** en el menu

### Salida intermitente

- El contacto LP es intermitente conectado que constituye un indicador visual de la operación de la puerta
- la puerta está abierta, hace, la función de un flash rápido durante el tiempo establecido **TF**, antes de iniciar el movimiento de cierre
- destella lentamente durante el movimiento de la puerta es de apertura y cierre
- Luces fijas durante la programación
- Se ilumina constante si falta o carecían de la tensión de la red, a fin de indicar que la automatización se procederá al aprendizaje de los ritmos de la primera pulsación del botón START
- Luces fijas si la puerta está parcialmente abierta

### Entrada fotocélula

Hay dos entradas para fotocélulas **FT1** e **FT2** ser habilitado por dip switch.

Las fotocélulas pueden ser indiscriminadamente PNP o NPN, mediante el establecimiento de los puentes apropiados

La intervención de la fotocélula provoca la puerta en las paradas fase de cierre y se invierte la dirección de marcha.

### Radiocomando (optional)

Un conector de diez contactos rápida permite la inserción de la tarjeta de recibir dedicada

## INFORMACIÓN GENERAL

Este manual de instalación está diseñado para personal cualificado. Lea cuidadosamente las instrucciones antes de empezar a instalar el producto.

La instalación, las conexiones eléctricas y los ajustes deben realizarse de acuerdo con la Buena Técnica y de conformidad con la normativa aplicable.

Para cualquier problema que pueda surgir durante la instalación, póngase en contacto con el distribuidor donde adquirió la automatización, o el mismo MTH, reportando los datos de la placa de identificación. Los dibujos de este manual, se elaboran a modo de ejemplo; por razones de claridad, algunos de ellos están simplificados en comparación con la situación real de cada modelo específico. El fabricante se reserva el derecho de hacer el producto, todos los cambios y modificaciones que, por razones técnicas y el comercio sean necesarias.

## DIRECTIVA MÁQUINAS

De conformidad con la Directiva de Máquinas instalador que alimenta una puerta tiene las mismas obligaciones que el fabricante de maquinaria y como tal debe:

- Preparar el expediente técnico que deberá contener los documentos enumerados en el anexo de la Directiva de Máquinas (el archivo debe ser conservado y puesto a disposición de las autoridades nacionales competentes durante al menos diez años a partir de la fecha de construcción de la puerta motorizada)
- Redactar la declaración CE de conformidad con arreglo al anexo II-A de la Directiva de Máquinas y entregarlo al cliente
- Colocar la marca CE sobre la puerta motorizada según la Sección 1.7.3 del anexo I de la Directiva de Máquinas

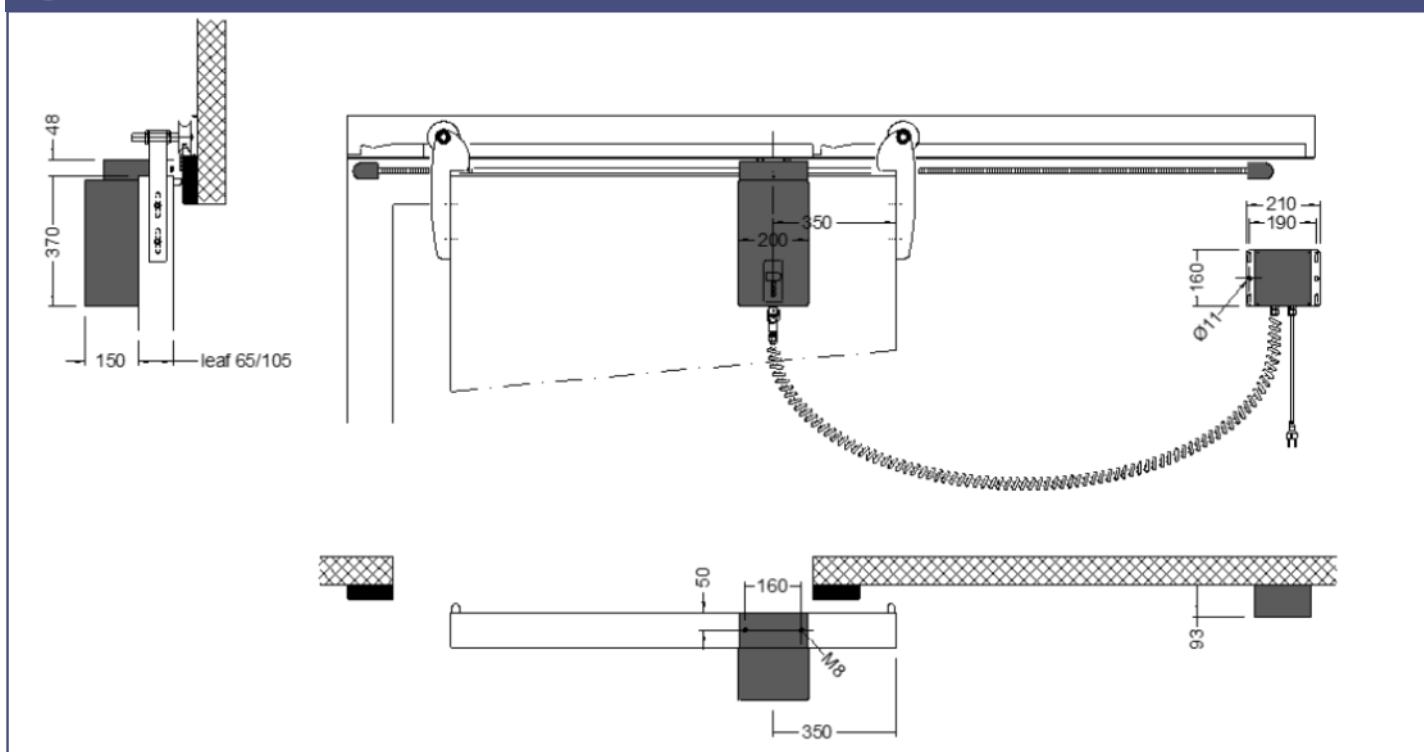
## CONSERVACIÓN Y MANEJO

Los paquetes están diseñados para soportar el transporte y la manipulación normal. El material puede ser embalado y almacenado en ambientes cubiertos en los que la temperatura está entre  $-15^{\circ}\text{C}$  y  $+55^{\circ}\text{C}$  con una humedad del 50%. NOTA: El embalaje estándar no está impermeabilizado contra la lluvia y la humedad. Abandona los elementos de embalaje de la automatización (bolsas de plástico, clavos, etc.) Dentro del alcance de los niños constituye un peligro.

## CONTROLES PRELIMINARI

- Antes de iniciar la instalación, comprobar la integridad del producto
- No instale el producto en un entorno explosivo y la atmósfera, la presencia de gases inflamables o son serio peligro de seguridad
- Haga todos los cambios estructurales relacionados con la construcción de las distancias de seguridad y protección o segregación de todas las zonas de aplastamiento, cizallamiento, captura de animales y peligro general
- Compruebe que el espacio para el deslizamiento es suficiente y que no existen proyecciones u obstáculos en las dimensiones como se muestra en (Fig.02-1)
- Los dispositivos de seguridad (fotocélulas, bordes de seguridad, parada de emergencia, etc.) debe instalarse teniendo en cuenta los reglamentos y directivas vigentes, los buenos criterios de mano de obra, el área de instalación, la lógica de funcionamiento del sistema y las fuerzas desarrolladas por la puerta motorizada

Fig. 02-1



## CONEXIONES ELÉCTRICAS

- Antes de conectar la fuente de alimentación, asegúrese de que los datos de la placa de identificación corresponden a los de la red de distribución eléctrica
- **La conexión a la red debe estar equipada con un dispositivo de desconexión omnipolar que cumpla con la normativa vigente, ubicado en una posición fácilmente accesible y claramente identificada**
- Conecte la puerta a un sistema de puesta a tierra efectivo como lo indican las normas de seguridad vigentes

Durante el trabajo de instalación, mantenimiento y reparación, desconecte la fuente de alimentación antes de abrir la tapa para acceder a las partes eléctricas.

Eventuali comandi e tutti gli accessori, quali fotocellule, lampeggiatori ecc. vanno collegati al quadro mediante morsetti, i collegamenti e cablaggi sono a carico dell'utente e devono essere eseguiti nel rispetto delle normative vigenti nel paese al momento dell'installazione.

- Desde el panel eléctrico sale el cable de alimentación de 3x1.5 metros cuadrados de largo de aproximadamente 1.5 metros con enchufe para ser conectado a la red eléctrica
- El panel de control remoto debe estar conectado a la toma K1 en el panel
- Las fotocélulas deben conectarse a la toma K2 en el panel si se proporcionan

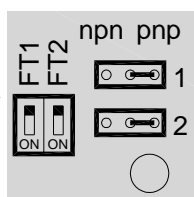
## CONFIGURACIÓN DE LA TARJETA ELÉCTRICA

Antes de encender la puerta, algunos interruptores dip deben configurarse según la cantidad de fotocélulas conectadas a la puerta y el tipo PNP o NPN y las teclas que se habilitarán en la pantalla.

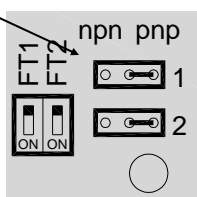
### FOTOCELLULE

In prossimità dei morsetti fotocellule M5 sono presenti due dip-switch, per abilitare o meno la coppia di fotocellule da impostare nel seguente modo:

ON= fotocellula ESCLUSA

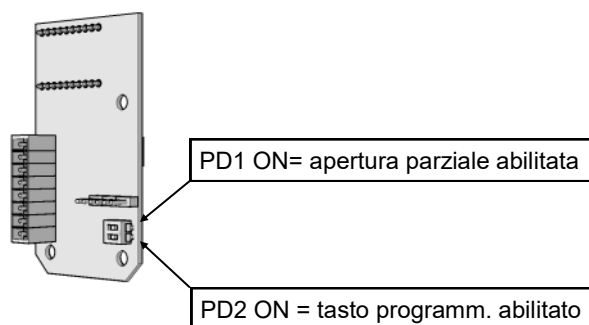


È possibile installare DUE coppie di fotocellule di tipo PNP (default) oppure NPN anche in modo assortito, settare i due ponticelli nel seguente modo:



## DISPLAY

È possibile disabilitare alcuni tasti del tastierino tramite dip-switch posto dietro il display



## PROGRAMACIÓN

La puerta no tiene interruptores eléctricos convencionales, lo que limita los viajes y deceleraciones son administrados totalmente por la unidad de control y el codificador integrado en el motor, la unidad es también sin un condensador de ajuste para ajustar.

La programación de las funciones que le permite configurar el puerto a su medida, es intuitivo con tres teclas y la pantalla de dos dígitos, los valores se almacenan en la memoria incluso en ausencia de alimentación

La puerta se suministra con la configuración predeterminada de fábrica para un uso óptimo.

### Primer Setup

Al encender por primera vez el puerto se debe establecer de acuerdo a los requerimientos del cliente y den a aprender de la carrera, el procedimiento para activar la puerta automática es muy simple:

1. Asegúrese de que el equipo está apagado
2. Asegúrese de que las baterías de respaldo están conectados
3. Active las teclas de programación PD1 y PD2 a través de dip-switch ubicado en la parte posterior del teclado
4. Abra la puerta manualmente por alrededor de 500 mm
5. Alimente la unidad de control
6. Aparece durante unos segundos la versión del firmware instalado en la unidad de control
7. La visualización E1
8. Pulse el botón P2 (menú), entra en el modo de programación, el movimiento de la puerta se inhibe y el display muestra la primera función del menú
9. Pulse el botón P2 (menú) hasta la aparición de la función que desea cambiar
10. Press P1 para aumentar el botón de valor o P3 para disminuir
11. Pulse el botón P2 para almacenar el nuevo valor y volver al menú de funciones
12. Después de programar las diversas funciones, resalte la función --y pulse P1 para salir de la programación
13. Pulse START, la puerta va a ir en la apertura hasta el tope (si no se apague inmediatamente el poder, invertir la terminal del motor y repita el procedimiento de nuevo) después de un segundo de pausa, la puerta se cerrará por completo poniendo fin a la fase aprender chistes

### Ajuste de funciones

Si desea repetir después el ajuste de la función siga este procedimiento:

1. Abrir la puerta pulsando START
2. Repita el procedimiento de primera puesta en marcha desde el paso 7 hasta el punto 11
3. Pulse START, la puerta va a ir en la apertura hasta el tope, permaneciendo abierta
4. Pulse START, la puerta se cierra para finalizar el procedimiento

### ADVERTENCIA:

**Al dejar la clave de programación PD2 habilitada, el usuario tiene acceso a la programación, con consecuencias inesperadas.**

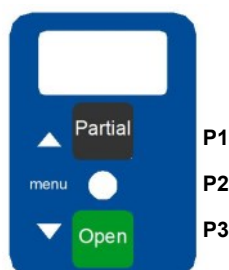
### Aprendizaje corsa dopo black out

El regreso del poder después de un apagón en el display maestra E1 y cualquier intermitente, es necesario hacer que el aprendizaje de los chistes, el procedimiento es muy sencillo:

1. Si la puerta está cerrada, abrir la puerta manualmente durante aproximadamente 500mm
2. Pulse START, la puerta va a ir en la apertura hasta el tope, después de un segundo de pausa, la puerta se cerrará terminar por completo la fase de aprendizaje de los latidos

### ADVERTENCIA:

- Para iniciar la programación, la puerta debe estar completamente abierta
- Todo el procedimiento de adquisición de la carrera se realiza a velocidad lenta
- Durante el procedimiento de adquisición de la marcha es la detección de obstáculos con discapacidad, las fotocélulas sólo están activos si está instalado



Funcion	Disp.	Range	Efecto	Default
Cierre automático	<b>AU</b>	<b>0</b>	OFF	<b>0</b>
		<b>1</b>	ON	
Tiempo de pausa	<b>TC</b>	<b>0 + 99</b>	en segundos	<b>4</b>
Tempo Intermitente	<b>TF</b>	<b>0 + 10</b>	en segundos	<b>2</b>
Servo-apertura	<b>UE</b>	<b>0</b>	OFF	<b>1</b>
		<b>1</b>	Apertura parcial accionando manualmente la manija de la puerta	
Apertura parcial en cm	<b>LE</b>	<b>0 + 9</b>	0=80 1=90 2=100 3=110 4=120 5=130 6=140 7=150 8=160 9=170	<b>3</b>
El golpe de ariete	<b>CA</b>	<b>0</b>	OFF	<b>0</b>
		<b>1 + 4</b>	cierre de empuje para mejorar juntas de estanqueidad	
Funcionalidad de START	<b>ST</b>	<b>0</b>	Abre / cierra	<b>0</b>
		<b>1</b>	Abre / Stop / cierra	
Radar	<b>RA</b>	<b>0</b>	OFF	<b>0</b>
		<b>1</b>	Abriendo el comando START se ignora	
Obstáculo electrónico de retardo de detección	<b>SE</b>	<b>0 + 2</b>	0=OFF 1=10% 2=20%	<b>0</b>
Desaceleración velocidad	<b>SL</b>	<b>0 + 5</b>	0=muy lento	<b>3</b>
Velocidad de apertura	<b>PA</b>	<b>0 + 5</b>	0=muy lento 5=maxima	<b>5</b>
Velocidad clausura	<b>PC</b>	<b>0 + 5</b>	0=muy lenta 5=maxima	<b>3</b>
Velocidad setup	<b>PP</b>	<b>0 + 2</b>	0=muy lenta 2=maxima	<b>0</b>
Proporción de reducción	<b>RD</b>	<b>1 + 99</b>	Proporción reductor instalado	<b>6</b>
Diámetro de la polea	<b>DP</b>	<b>1 + 99</b>	en milímetros	<b>46</b>
Resolución del encoder	<b>PE</b>	<b>0 + 3</b>	0=4P 1=6P 2=8P 3=12P	<b>0</b>
Soft start	<b>SS</b>	<b>0</b>	0=OFF	<b>1</b>
		<b>1 + 3</b>	1=10% 2=20% 3=30%	
Soft stop	<b>SB</b>	<b>0</b>	OFF	<b>1</b>
		<b>1</b>	ON	
Alarma	<b>AL</b>	<b>0</b>	El relé se activa cuando la puerta está cerrada	<b>1</b>
		<b>1</b>	El relé se activa cuando la puerta está abierta	
Interblocco	<b>BL</b>	<b>0</b>	OFF	<b>0</b>
		<b>1</b>	ON	
Buscar distancia ZERO	<b>OE</b>	<b>0 + 40</b>	En milímetros, restablezca la tarjeta para almacenar	<b>40</b>

## PROBLEM SOLVING

problem	control	reason	solution
The door does not move	Display out	Feeding lack	Check if tension is present on the panel
	Display out	Burned fuses	Change the fuses with those supplied on the panel
	Display out	Electronic card breakdown	Ask for the maintenance intervention
	Display on – written S	STOP button pressed	Release the STOP button
	Display on – written f	Out of axle or overshadowed photocells	Check the photocells functionality
	Display on – written St	Inter-blocked door – another door in the net is open	Wait till all doors in the net are closed
	Display on – written bt	Insufficient level of the backup batteries, the card inhibits the movement with low tension levels	Re-establish the electric system
The door opens but does not close	Display on – written F	Out of axle or overshadowed photocells	Check the photocells functionality
	Display on with countdown	The automatic closure with very long time was programmed	Set the tc function value according to one's requirement
The door moves a few cm and than gets blocked		Defective or disconnected ENCODER	Ask for the maintenance intervention
The door does not come out from the run learning	Remains written E1	Door width below 1300mm or pulley diameter values or reduction ratio set up in a wrong way	Check the pe rd and dp values
The door during the self learning does not move	Display on – written F	Out of axle or overshadowed photocells	Check the photocells functionality
The door during the self learning run opens completely slowly but does not close	Display acceso scitta E1	Card breakdown	Ask for the maintenance intervention
The radio-control range is very low		Disconnected or lacking antenna cable	Restore the antenna – see instructions
CAUTION: if the problem persists or other problems occur ask for the maintenance service			

## PROBLEM SOLVING

problema	controllo	causa	soluzione
La porta non si muove	Display spento	Mancanza alimentazione	Verificare la presenza di tensione nel quadro elettrico
	Display spento	Fusibili bruciati	Sostituire i fusibili con quelli di scorta presenti nel quadro
	Display spento	Guasto alla scheda elettronica	Richiedere intervento manutenzione
	Display acceso scritta S	Pulsante di STOP premuto	Sbloccare il pulsante di STOP
	Display acceso scritta f	Fotocellule fuori asse oppure oscurate	Verificare la funzionalità delle fotocellule
	Display acceso scritta St	Porta interbloccata, un'altra porta della rete è aperta	Attendere che tutte le porte della rete siano chiuse
	Display acceso scritta bt	Livello carica batterie tampone insufficiente, la scheda inibisce il movimento con livelli di tensione troppo bassi	Ripristinare rete elettrica
La porta apre ma non chiude	Display acceso scritta F	Fotocellule fuori asse oppure oscurate	Verificare la funzionalità delle fotocellule
	Display acceso con conto alla rovescia	è stata programmata la chiusura automatica con tempo molto lungo	Impostare il valore della funzione tc secondo le proprie esigenze
La porta si muove di pochi centimetri e si blocca		ENCODER difettoso o scollegato	Richiedere intervento manutenzione
La porta non esce dall'autoapprendimento corsa	Rimane sempre la scritta E1	Larghezza porta inferiore a 1000 mm oppure valori di puleggia o rapporto di riduzione impostati errati	Verificare i valori PE rd e dp
La porta non effettua l'autoapprendimento corsa	Display acceso scritta F	Durante l'autoapprendimento corsa le fotocellule vengono rilevate sia in apertura che chiusura	Verificare la funzionalità delle fotocellule
La porta durante l'autoapprendimento corsa apre lentamente fino alla battuta ma non richiude	Display acceso scritta E1	Scheda guasta	Richiedere intervento manutenzione
La portata del telecomando è molto ridotta		Cavo antenna scollegato o mancante	Ripristinare antenna vedi istruzioni
<b>ATTENZIONE:</b> nel caso in cui il problema persista o si verificano problemi diversi da quelli elencati, richiedere intervento di manutenzione			



## PROBLEM SOLVING

problema	control	causa	solucion
La puerta no se mueve	Display off	Ninguna fuente de alimentación	Verificar la presencia de tensión eléctrica en el placa elettrico
	Display off	Los fusibles fundidos	Reemplace los fusibles con el repuesto en la placa
	Display off	Tarjeta electrónica defectuosa	intervención de mantenimiento
	Display ON por escrito S	Botón STOP pulsa	Suelte el botón STOP
	Display ON por escrito F	Fotocélulas fuera de alineación o oscurecido	Verifique que las fotocélulas
	Display ON por escrito St	Puerta interconectado, otra puerta de la red está abierta	Espere hasta que todos los puertos de red están cerrados
	Display ON por escrito BT	Búfer de batería baja tarjeta insuficiente inhibe el movimiento con niveles de tensión son demasiado bajos	Restaurar red eléctrica
La puerta se abre pero no se cierra	Display ON por escrito F	Fotocélulas fuera de alineación o oscurecido	Verifique que las fotocélulas
	Display ON por escrito cuenta atrás	Fue programado de cierre automático con mucho tiempo	Ajuste el valor de la función TC de acuerdo a sus necesidades
La puerta se mueve unos pocos centímetros y cerraduras		ENCODER defectuoso o desconectado	intervención de mantenimiento
La puerta no viene de uno mismo carrera	Restos del escreteo E1	Puerta Ancho de menos de 1,200 mm o polea o engranaje de relación establecido incorrecta valora	Verificar los parámetros PE RD e DP
La puerta no tiene carrera	Display ON por escrito F	Durante el autoaprendizaje carrera las fotocélulas se encuentran tanto en la apertura y cierre	Verifique que las fotocélulas
La puerta se abre lentamente durante la carrera a su propio ritmo hasta el límite, pero no se cierra	Display ON por escrito E1	La tarjeta no trabaja	intervención de mantenimiento
El rango de la distancia es muy pequeña		Cable de antena desconectada o desaparecidos	Restaurar antena ver instrucciones

**ATENCIÓN:** si el problema persiste o si tiene problemas diferentes a los mencionados, requerirá de mantenimiento

### SAFETY WARNINGS

These warnings are an integrating and essential part of the product and must be given to the user. Please read them carefully as they provide important information concerning installation, use and maintenance.

This module should be kept and handed over to anyone taking over the use of the system. Incorrect installation or improper use of the product may cause serious danger.

### INSTALLATION

- Installation must be carried out by professionally skilled personnel and adhering to current local, state, national and European laws
- Before starting installation check that the product is intact
- Installation, electrical connections and adjustments must be carried out by skilled personnel
- Packaging materials (cardboard, plastic, polystyrene, etc.) must not be dumped in the environment or left within children's reach as they are potential sources of danger
- Do not install the product in environments with the danger of explosion or disturbed by electromagnetic fields. The presence of gas or inflammable fumes is a serious safety hazard
- On the power network foresee a protection against over-voltage, a circuit breaker/cut-out switch suitable for the product and in compliance with current regulations
- The manufacturer declines every and any liability if devices and/or components are installed which are incompatible with the intactness of the product, safety and operation
- Only original spares may be used for the repair or replacement of parts
- The installer must provide all the information about operation, maintenance and use of the single components and of the system as a whole
- To warrant the efficiency of the product it is essential that maintenance operations be carried out by professionally skilled personnel in the times defined by the installer, manufacturer and current laws
- Installation, maintenance, repair and cleaning operations must be documented. This documentation must be kept by the user and made available to the skilled personnel concerned

### WARNINGS FOR THE USER

- Carefully read the instructions and the annexed documents
- The product must be used for the purpose for which it has been expressly designed. Any other use is to be considered improper, hence dangerous. In addition, the information contained in this document and in its annexes may be subject to alteration with no prior notice. In fact, it is provided indicatively for application of the product
- In the case of product maintenance, cleaning, failure or faulty operation, switch off the power supply and do not attempt to intervene. Turn only to professionally skilled personnel prepared for this purpose. The failure to do so may cause seriously hazardous situations

### WARNINGS FOR THE DISPOSAL OF THE MATERIALS

All the materials used in the packaging are environmentally friendly and recyclable, therefore you are requested to cooperate, with the disposal of the packaging.

For safety purposes, please cut the automation power supply cord.

Pursuant to Directive 2002/96/CE and subsequent amendments to the disposal of electrical and electronic equipment, for a future disposal of this equipment please note the following:

**It is forbidden to dispose of this equipment as urban waste: it is necessary to contact one of the WEEE collection centers (Waste Electrical and Electronic Equipment) authorized and prepared by the Public Administration.**



### AVVERTENZE PER LA SICUREZZA

Le presenti avvertenze sono parti integranti ed essenziali del prodotto e devono essere consegnate all'utilizzatore. Leggerle attentamente in quanto forniscono importanti indicazioni riguardanti l'installazione, l'uso e la manutenzione.

E' necessario conservare il presente modulo e trasmetterlo ad eventuali subentranti nell'uso dell'impianto. L'errata installazione o l'utilizzo improprio del prodotto può essere fonte di grave pericolo.

### INDICAZIONI D'INSTALLAZIONE

- L'installazione deve essere eseguita da personale professionalmente competente e in osservanza della legislazione locale, statale, nazionale ed europee vigente
- Prima di iniziare l'installazione verificare l'integrità del prodotto
- La posa in opera, i collegamenti elettrici e le regolazioni devono essere effettuati da personale qualificato
- I materiali d'imballaggio (cartone, plastica, polistirolo, ecc.) non vanno dispersi nell'ambiente e non devono essere lasciati alla portata dei bambini in quanto potenziali fonti di pericolo
- Non installare il prodotto in ambienti a pericolo di esplosione o disturbati da campi elettromagnetici. La presenza di gas o fumi infiammabili costituisce un grave pericolo per la sicurezza
- Prevedere sulla rete di alimentazione una protezione per extratensioni, un interruttore/sezionatore e/o differenziale adeguati al prodotto e in conformità alle normative vigenti
- Il costruttore declina ogni e qualsiasi responsabilità qualora vengano installati dei dispositivi e/o componenti incompatibili ai fini dell'integrità del prodotto, della sicurezza e del funzionamento
- Per la riparazione o sostituzione delle parti dovranno essere utilizzati esclusivamente ricambi originali.
- L'installatore deve fornire tutte le informazioni relative al funzionamento, alla manutenzione e all'utilizzo delle singole parti componenti e del sistema nella sua globalità
- Per garantire l'efficienza del prodotto è indispensabile che personale professionalmente competente effettui la manutenzione nei tempi pre-stabiliti dall'installatore, dal produttore e dalla legislazione vigente
- Gli interventi di installazione, manutenzione, riparazione e pulizia devono essere documentati. Tale documentazione deve essere conservata dall'utilizzatore, a disposizione del personale competente preposto
- Per garantire l'efficienza del prodotto è indispensabile che personale professionalmente competente effettui la manutenzione nei tempi pre-stabiliti dall'installatore, dal produttore e dalla legislazione vigente
- Gli interventi di installazione, manutenzione, riparazione e pulizia devono essere documentati. Tale documentazione deve essere conservata dall'utilizzatore, a disposizione del personale competente preposto

### AVVERTENZE PER L'UTENTE

- Leggere attentamente le istruzioni e la documentazione allegata
- Il prodotto dovrà essere destinato all'uso per il quale è stato espressamente concepito. Ogni altro utilizzo è da considerarsi improprio e quindi pericoloso. Inoltre, le informazioni contenute nel presente documento e nella documentazione allegata, potranno essere oggetto di modifiche senza alcun preavviso. Sono infatti fornite a titolo indicativo per l'applicazione del prodotto
- In caso di manutenzione, pulizia, guasto o cattivo funzionamento del prodotto, togliere l'alimentazione, astenendosi da qualsiasi tentativo d'intervento. Rivolgersi solo al personale professionalmente competente e preposto allo scopo. Il mancato rispetto di quanto sopra può causare situazioni di grave pericolo

### AVVERTENZE PER LO SMALTIMENTO

Tutti i materiali utilizzati nell'imballo sono compatibili con l'ambiente e riciclabili, siete pertanto pregati di collaborare, con lo smaltimento dell'imballaggio.

Al fine della sicurezza si prega di tagliare il cordone di alimentazione elettrica dell'automazione.

Ai sensi della direttiva 2002/96/CE e successive modifiche sullo smaltimento di apparecchiature elettriche ed elettroniche, per un futuro smaltimento di questa apparecchiature si prega di tenere presente quanto segue:

**E' vietato smaltire questa apparecchiatura come rifiuto urbano: è necessario rivolgersi ad uno dei Centri di Raccolta RAEE (Rifiuti di Apparecchiature Elettriche ed Elettroniche) autorizzato e predisposto dalla Pubblica Amministrazione.**



### ADVERTENCIAS PARA LA SEGURIDAD

Las presentes advertencias forman parte integrante y esencial del producto y deben ser entregadas al utilizador. Es necesario leerlas atentamente, ya que ofrecen importantes indicaciones concernientes a la instalación, el uso y el mantenimiento del equipo.

Es necesario conservar el presente módulo y transmitirlo a aquellas eventuales personas que usen el equipo. La incorrecta instalación o el uso impropio del producto puede ser causa de grave peligro.

### INDICACIONES PARA LA INSTALACIÓN

- La instalación debe ser efectuada por personal profesionalmente competente y en cumplimiento de la legislación local, estatal, nacional y europeas vigente
- Antes de iniciar la instalación, verifique la integridad del producto
- La puesta en obra, las conexiones eléctricas y los ajustes han de ser efectuados por personal cualificado para ello
- Los materiales de embalaje (cartón, plástico, poliestireno, etc.) no deben ser abandonados en el medioambiente y no deben dejarse al alcance de los niños, ya que pueden suponer peligro
  - No emplace el producto en ambientes a riesgo de explosión o disturbados por campos electromagnéticos. La presencia de gases o de humos inflamables constituye un grave peligro para la seguridad
  - Es necesario prever en la red de alimentación una protección para extravoltajes, un interruptor/seccionador y/o diferencial adecuados al producto y que cumplan con las normativas vigentes
  - El fabricante declina toda y cualquier responsabilidad en caso de que se instalen dispositivos y/o componentes incompatibles a fines de la integridad del producto, de su seguridad y de su funcionamiento
  - Para la reparación o sustitución de partes, se deberán utilizar exclusivamente repuestos originales
  - El instalador debe dar todas las informaciones relativas al funcionamiento, al mantenimiento y a la utilización de cada una de las partes componentes y de todo el equipo en su conjunto
    - Para garantizar la eficiencia del producto es indispensable que el personal profesionalmente competente efectúe el mantenimiento en los tiempos establecidos previamente por el instalador, por el fabricante y por la legislación vigente
    - Las intervenciones de instalación, mantenimiento, reparación y limpieza deben ser documentadas. Tal documentación debe ser guardada por el utilizador y debe quedar a disposición del personal de inspección competente

### ADVERTENCIAS PARA EL USUARIO

- Lea atentamente las instrucciones y la documentación adjunta
- El producto deberá ser destinado al uso para el cual ha sido concebido expresamente. Cualquier otra utilización se considera impropia y, de consecuencia, peligrosa. Además, las informaciones contenidas en el presente documento y en la documentación adjunta podrán ser objeto de modificaciones sin previo aviso. De hecho, las informaciones se suministran en concepto indicativo para la aplicación del producto
- En caso de mantenimiento, limpieza, avería o mal funcionamiento del producto, desenchufe la alimentación, y se abstenga de realizar cualquier intervención. Diríjase solamente al personal competente especializado y dedicado para ello. El incumplimiento de todo lo anterior puede ser causar situaciones de grave peligro

### ADVERTENCIAS PARA LA ELIMINACIÓN DE MATERIALES

Todos los materiales utilizados en el embalaje son respetuosos con el medio ambiente y reciclables, por lo que se le solicita que coopere con la eliminación del embalaje.

Por motivos de seguridad, corte el cable de la fuente de alimentación de automatización.

De conformidad con la Directiva 2002/96/CE y las modificaciones posteriores a la eliminación de equipos eléctricos y electrónicos, para una futura eliminación de este equipo, tenga en cuenta lo siguiente:

**Está prohibido deshacerse de este equipo como residuo urbano: es necesario ponerse en contacto con uno de los centros de recogida de RAEE (Residuos de Aparatos Eléctricos y Electrónicos) autorizado y preparado por la Administración Pública.**



#### **PRODUCT GUARANTEE**

The guarantee is for 12 months starting from the date of purchase of the product and is valid only for the first purchaser. It is invalidated in the event of: negligence, mistaken or bad use of the product, use of accessories that fail to meet the manufacturer's specifications, tampering by the customer or others, natural causes (lightning, floods, fires etc.), riots, vandalism, changes of the environmental conditions in the place of installation.

#### **GARANZIA DEL PRODOTTO**

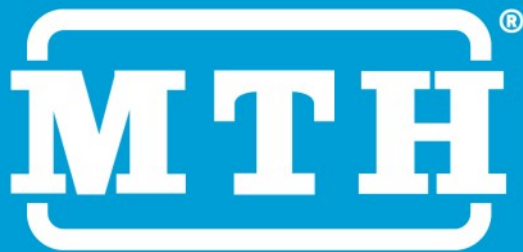
La garanzia è di 12 mesi decorrenti dalla data d'acquisto del prodotto ed è valida solo per il primo acquirente. Essa decade in caso di: negligenza, errore o cattivo uso del prodotto, uso di accessori non conformi alle specifiche del costruttore, manomissioni operate dal cliente o da terzi, cause naturali (fulmini, alluvioni, incendi, ecc.), sommosse, atti vandalici, modifiche delle condizioni ambientali del luogo d'installazione.

#### **GARANTÍA DEL PRODUCTO**

La garantía es de 12 meses a partir de la fecha de compra del producto y es válida solamente para el primer comprador. La garantía decae en caso de: negligencia, error o mal uso del producto, uso de accesorios no conformes a las especificaciones del fabricante, forzamientos o violaciones efectuadas por el cliente o por terceros, causas naturales (rayos, inundaciones, incendios, etc.), revueltas, actos vandálicos y modificaciones de las condiciones ambientales del lugar de emplazamiento.

**NOTE**

**NOTE**



**MTH Srl**

Via Rivera, 92 – 10040 Almese (TO), Italia

T (+39) 011 9351580

C.F./P.IVA IT-06196070012

[mthsrl@mth.it](mailto:mthsrl@mth.it)

[mth.it](http://mth.it)